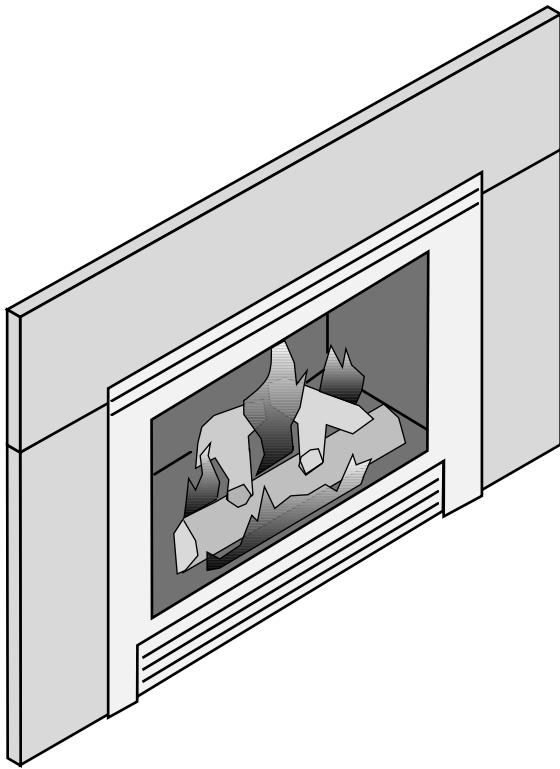




Travis Industries, Inc.



DVS Insert

Direct Vent Fireplace Insert

- MASONRY or ZERO CLEARANCE (METAL) FIREPLACE APPROVED
- MOBILE HOME APPROVED



WARNING: Improper installation, adjustment, alteration, service or maintenance can cause injury or property damage. Refer to this manual. For assistance or additional information consult a qualified installer, service agency, or the gas supplier.

- Do not store or use gasoline or other flammable vapors and liquids in the vicinity of this or any other appliance.
- Installation must be performed by a qualified installer, service agency or the gas supplier

IF YOU SMELL GAS

- Do not try to light any appliance.
- Do not touch any electrical switch; do not use any phone in your building.
- Immediately call gas supplier from a neighbor's phone. Follow the gas supplier's instructions.
- If you cannot reach your gas supplier, call the fire department.

DVS INSERT

- November, 1999 -

Installer: After installation give this manual to the homeowner and explain operation of this heater.

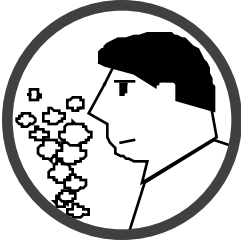
Part # 93508098

\$10.00



Travis Industries, Inc.

10850 117th Place N.E. Kirkland, WA 98033

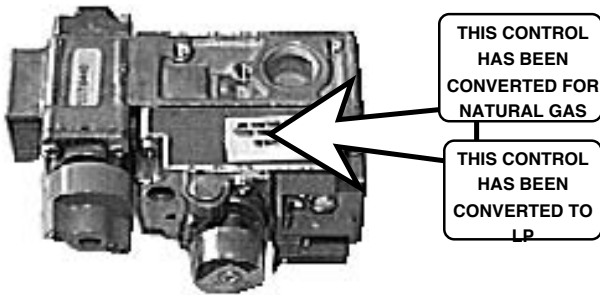


IF YOU SMELL GAS:

- * **Do not light any appliance**
- * **Extinguish any open flame**
- * **Do not touch any electrical switch or plug or unplug anything**
- * **Open windows and vacate building**
- * **Call gas supplier from neighbor's house, if not reached, call fire department**



- This unit must be installed by a qualified installer to prevent the possibility of an explosion. Your dealer will know the requirements in your area and can inform you of those people considered qualified. The room heater should be inspected before use and at least annually by a qualified service person. More frequent cleaning may be required due to excessive lint from carpeting, bedding material, etc.
- The instructions in this manual must be strictly adhered to. Do not use makeshift methods or compromise in the installation. Improper installation will void the warranty and safety listing.



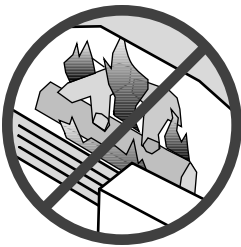
- This heater is either approved for natural gas (NG) or propane (LP). Burning the incorrect fuel will void the warranty and safety listing and may cause an extreme safety hazard. Check the label above the gas control valve to make sure it matches the fuel being used. Direct questions about the type of fuel used to your dealer.



- Contact your local building officials to obtain a permit and information on any installation restrictions or inspection requirements in your area. Notify your insurance company of this heater as well.



- If the flame becomes sooty, dark orange in color, or extremely tall, do not operate the heater. Call your dealer and arrange for proper servicing.



- It is imperative that control compartments, screens, or circulating air passageways of the heater be kept clean and free of obstructions. These areas provide the air necessary for safe operation.



- Do not operate the heater if it is not operating properly in any fashion or if you are uncertain. Call your dealer for a full explanation of your heater and what to expect.



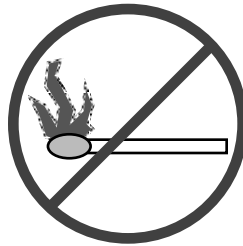
- Do not store or use gasoline or other flammable liquids in the vicinity of this heater.
- Keep all furniture or other combustible items at least 36" away from the front of the heater.



- Do not operate if any portion of the heater was submerged in water or if any corrosion occurs.



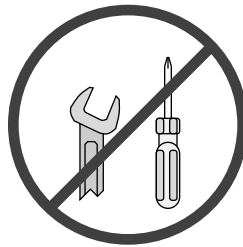
- Do not place clothing or other flammable items on or near the heater. Because this heater can be controlled by a thermostat there is a possibility of the heater turning on and igniting any items placed on or near it.



- Light the heater using the built-in piezo igniter. Do not use matches or any other external device to light your heater.



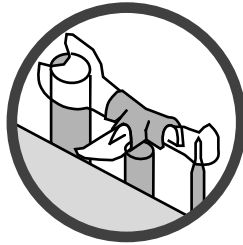
- The viewing glass should be opened for service only (see the maintenance section of this manual).



- Never remove, replace, modify or substitute any part of the heater unless instructions are given in this manual. All other work must be done by a trained technician. Don't modify or replace orifices.



- Any safety screen or guard removed for servicing must be replaced prior to operating the heater.



- Allow the heater to cool before carrying out any maintenance or cleaning.

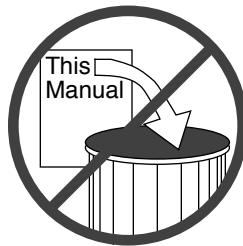
- Operate the heater according to the instructions included in this manual.

- If the main burners do not start correctly turn the gas off at the gas control valve and call your dealer for service.

- The pilot flame must contact the thermopile and thermocouple (see the illustration to the left). If it does not, turn the gas control valve to "OFF" and call your dealer.



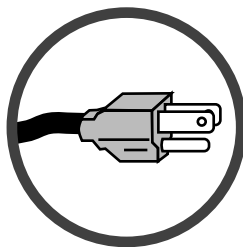
- This unit is not for use with solid fuel
- Do not place anything inside the firebox (except the included fiber logs).
- If the fiber logs become damaged, replace with Travis Industries log set.



- Do not throw this manual away. This manual has important operating and maintenance instructions that you will need at a later time. Always follow the instructions in this manual.

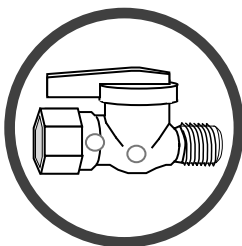


- Do not touch the hot surfaces of the heater. Educate all children of the danger of a high-temperature heater. Young children should be supervised when they are in the same room as the heater.



- Plug the heater into a 120V grounded electrical outlet. Do not remove the grounding plug.

- Don't route the electrical cord in front of, over, or under the heater



- Instruct everyone in the house how to shut gas off to the appliance and at the gas main shutoff valve. The gas main shutoff valve is usually next to the gas meter or propane tank and requires a wrench to shut off.



- **Travis Industries, Inc. grants no warranty, implied or stated, for the installation or maintenance of your heater, and assumes no responsibility of any consequential damage(s).**

Introduction & Important Info. 1

Safety Precautions 2

Features & Specifications 5

 Installation Options 5

 Heating Specifications 5

 Dimensions 5

 Fuel, Compliance, Electrical 5

Insert Installation

 Installation Preparation 6

 Items Required for Installation 6

 Packing Lists 6

 Order of Installation 6

 Insert Placement 7

 Insert Clearances 7

 Floor Protection 8

 Gas Line Installation 8

 Vent Requirements 9

 Surround Panel Installation 11

 Manifold Removal and Installation 12

Finalizing the Installation

 Glass Removal 14

 Log, Twig, and Ember Installation 15

 Purge and Leak Test the Gas Line 16

 Pilot Flame Inspection 16

 Air Shutter Adjustment 17

 Flame Inspection 17

 Explain Heater Operation to Owner 17

Operating Your Heater

 Before You Begin 18

 Location of Controls 18

 Starting The Pilot Flame 19

 Starting the Heater for the First Time 20

 Turning the Heater On and Off 20

 Adjusting the Flame Height 20

 Adjusting the Blower Speed 21

 Normal Operating Sounds 21

Maintaining Your Heater

 Maintaining Your Heater's Appearance 22

 Cleaning Your Heater 22

 Yearly Service Procedure 22

Troubleshooting

 Troubleshooting Table 23

 How this Stove Works 24

 Wiring Diagram 25

Warranty 26

Listing Information 27

Optional Equipment

 Propane (LP) Conversion Kit 28

 Thermostat 34

 Remote Control Thermostat 35

 Decorative Fireback 35

Addendum

 Altitude Considerations 35

Index 36

Symbols Used in this Manual

The illustration below details what the symbols used along the left margin indicate.



Installation Options:

- Residential or Mobile Home
- Fireplace Insert
- Masonry or Zero Clearance (Metal) Fireplace Approved

Features:

- Works During Power Outages (standing pilot)
- High Efficiency
- Optional Thermostat or Remote Control
- Realistic "Wood Fire" Look
- Convenient Operating Controls
- Variable-Rate Heat Output
- Quiet Blower for Effective Heat Distribution
- Low Maintenance

Heating Specifications:

Approximate Heating Capacity (in square feet)*
 High Burn Input Rate (In BTU's)
 Low Burn Input Rate (In BTU's)
 Efficiency**
 AFUE (Annual Fuel Utilization Efficiency)

Natural Gas

500 to 1,500
 31,000
 18,600
 80 %
 71.3 %

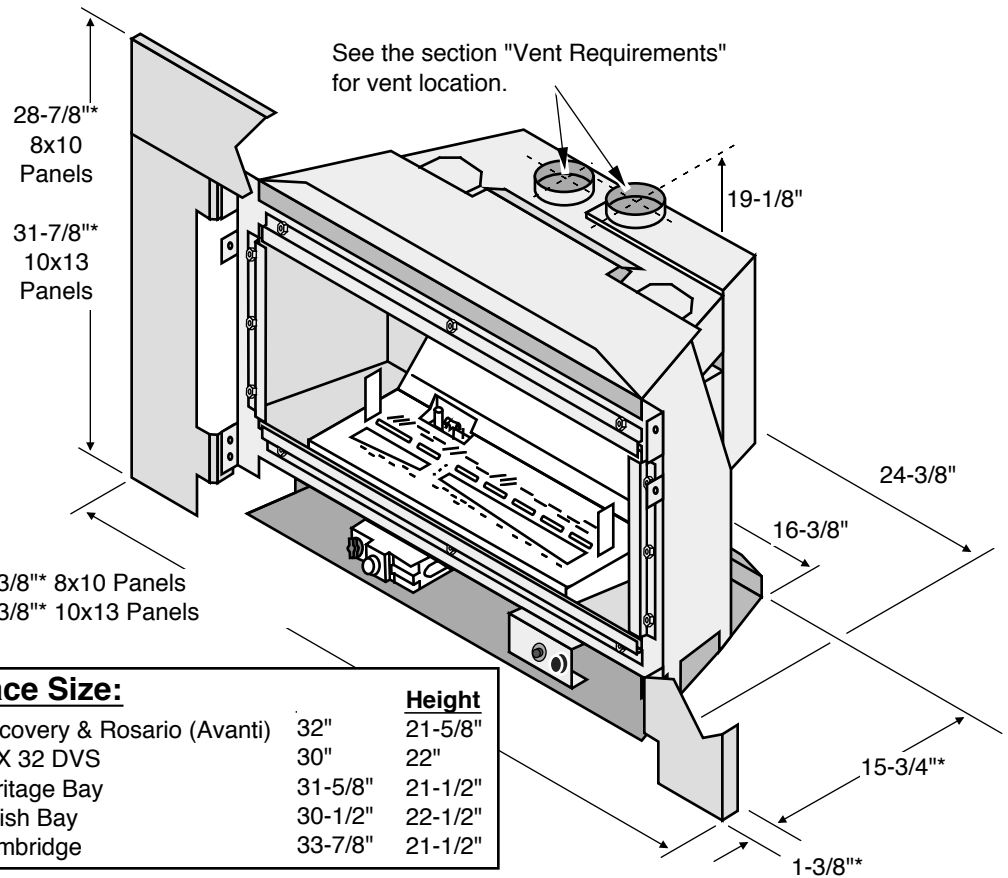
LP (Propane)

500 to 1,500
 31,000
 16,000
 80.5 %
 71.8 %

* Heating capacity will vary with the home's floor plan and insulation, natural gas or Propane BTU rating, and outside temperature.

** Efficiency rating is a product of thermal efficiency rating determined under continuous operation independent of installed system. To measure the net BTU's, multiply the BTU input by the efficiency percentage.

Dimensions:



Fuel:

This heater is designed either for natural gas or for propane. Check the sticker on top of the gas control valve.

Compliance:

This unit has passed the ANSI wall furnace standard as tested by OMNI Environmental Services, Inc.

Face Size:

		<u>Height</u>
Discovery & Rosario (Avanti)	32"	21-5/8"
FPX 32 DVS	30"	22"
Heritage Bay	31-5/8"	21-1/2"
Salish Bay	30-1/2"	22-1/2"
Cambridge	33-7/8"	21-1/2"

* Includes trim & standoffs

Electrical Specifications:

120 Volts, 1.3 Amps, 60 Hz (150 watts on high)

Installation Preparation

- ! **Failure to follow all of the requirements may result in property damage, bodily injury, or even death.**
- ! **This appliance must be installed in accordance with all local codes, if any; if not, follow ANSI Z223.1 and NFPA 54(88).**
- ! **In Manufactured or Mobile Homes must confirm with: In USA, Manufactured Home Construction and Safety Standard, Title 24 CFR, Part 3280; In Canada, CSA Z240.4 and Gas-Equipped Recreational Vehicles and Mobile Housing. This appliance may be installed in Manufactured Housing only after the home is site located.**
- ! **This appliance is designed for natural gas but may be converted to propane (LP). Check the sticker on top of the gas control valve.**
- ! **All exhaust gases must be vented outside the structure of the living-area. Combustion air is drawn from outside the living-area structure.**
- ! **Notify your insurance company before hooking up this appliance.**
- ! **The requirements below are divided into sections - all requirements must be met simultaneously.**

Items Required for Installation

- Face
- Gas Hookup Equipment
- Surround Panels (Includes hardware, trim, and insulation)
- 3" (75 mm) UL 1777 Gas Liner
- Direct Vent Cap (Simpson Duravent Part # 991)
- Direct Vent Adapter (Simpson Duravent Part # 923GK)

Items Packed with the Travis Ind. DVS

- DVS Insert
- Log Set (2 Logs, 2 Twigs, Embers)
- Owner's Manual
- Propane Conversion Kit
- Two Leveling Bolts
- 6" Pipe Inlet (3/8")

Items Packed with the Face

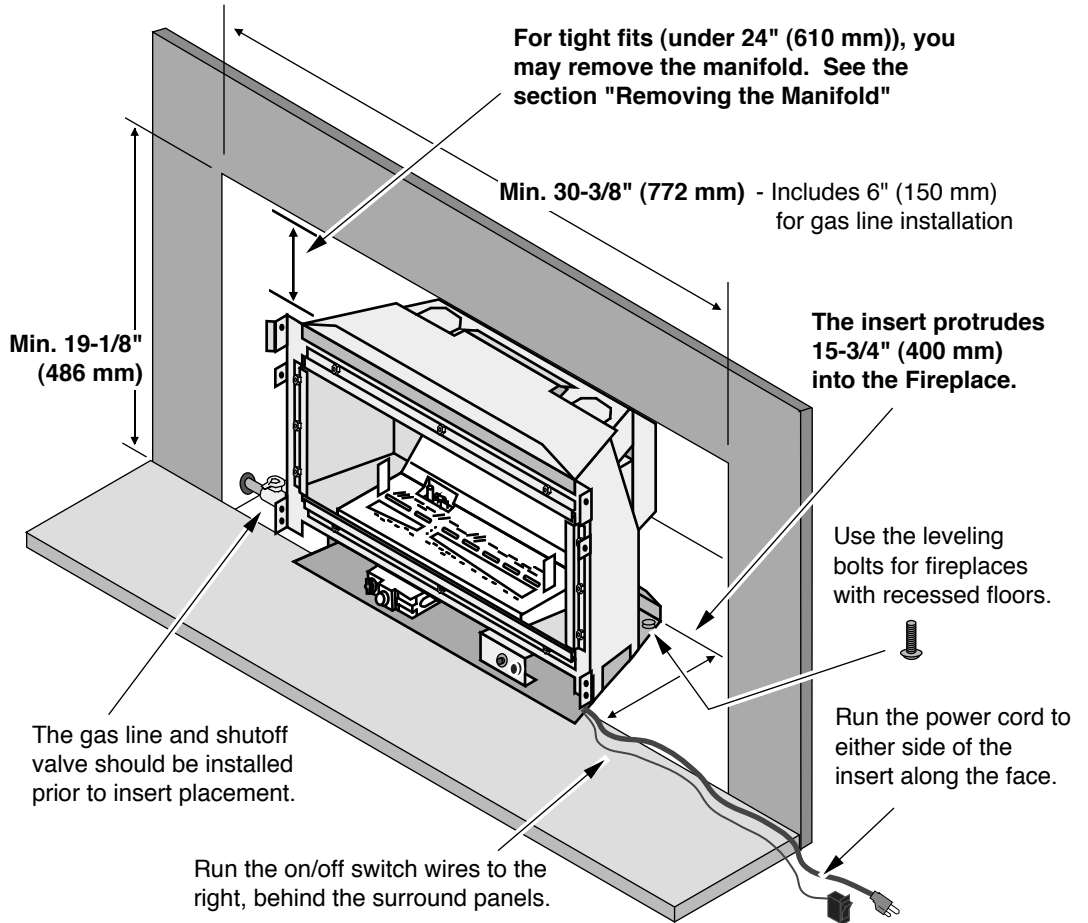
- Face (and door)
- Attachment Screws (FPX 32 DV's include face mounting brackets)
- Face Installation Instructions

Order of Installation

- 1 If the heater is to use propane, install the propane conversion kit (see pages 28 - 33)
- 2 Install gas line into the fireplace (do not connect to unit)
- 3 Position the heater (see "Insert Placement")
- 5 Connect the gas line and gas vent to the appliance.
- 6 Install the optional surround panels and trim. Attach the on/off switch.
- 7 Follow the instructions under "Finalizing the Installation" on pages 14 through 17.

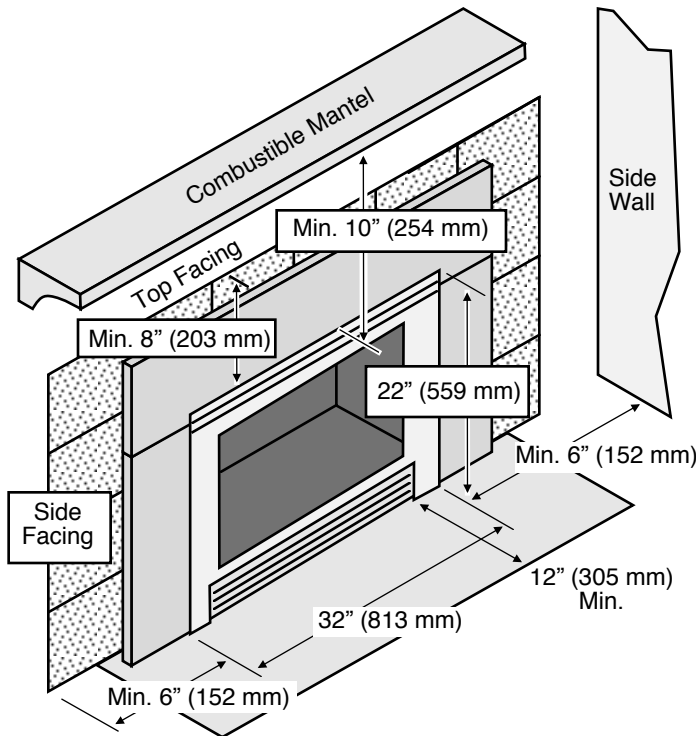
Insert Placement

- Insert must be placed within a code conforming masonry fireplace or any tested and listed zero-clearance (metal) fireplace
- The fireplace must be undamaged (repair any damage prior to installation).



Insert Clearances

- No combustibles may be within, or swing within, 36" (914 mm) of the front of the insert (drapes, doors)



Zero-Clearance (Metal) Fireplace Requirements:

- The damper ("A") and grate (with logset) ("B") must be removed (see the illustration below)
- The smoke shelf ("C"), internal baffles ("D"), screen ("E"), masonry lining or refractory ("G" & "I"), and metal or glass doors ("F") may be removed (if applicable)
- The insulation ("H"), and any structured rigid frame members (metal sides, floor, door frame, face of the fireplace, etc.) may not be removed or altered.

Floor Protection

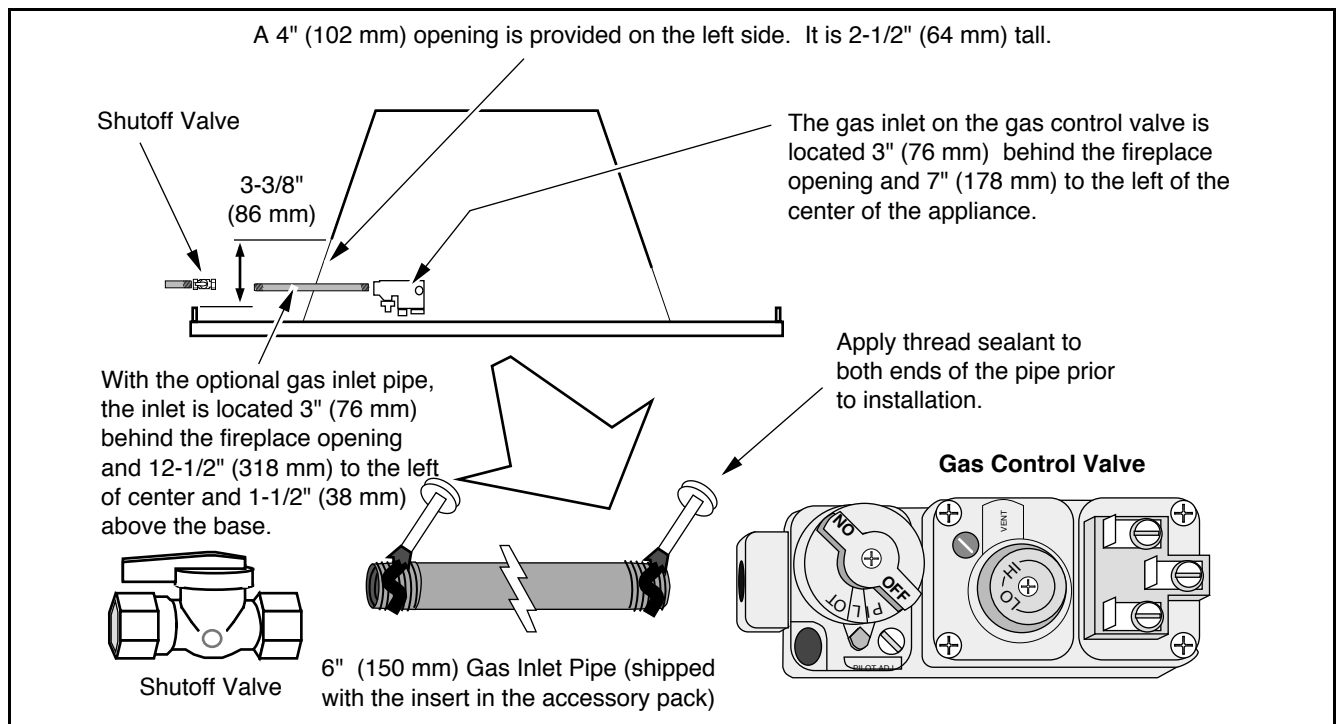
- The heater must be installed on a non-combustible hearth extending a minimum 12" (305 mm) from the fireplace opening (local codes may require a larger hearth). Minimum width is 32" (813 mm).

Gas Line Installation

- ! The gas line must be installed in accordance with all local codes, if any; if not, follow ANSI Z223.1 and the requirements listed below.
- ! The heater and gas control valve must be disconnected from the gas supply piping during any pressure testing of that system at test pressures in excess of 1/2 psig (3.45 kPA). For pressures under 1/2 psig (3.45 kPA), isolate the gas supply piping by closing the manual shutoff valve.
- Leak test all gas line joints and the gas control valve prior to and after starting the heater.

Gas Line Connection

- The location of the gas inlet is shown below
- A manual shutoff valve is required on the gas line within 3' (914 mm) of the heater



Fuel

- This heater is designed for natural gas but can be converted to propane. Check the sticker on the top of the gas control valve to make sure the correct fuel is used.

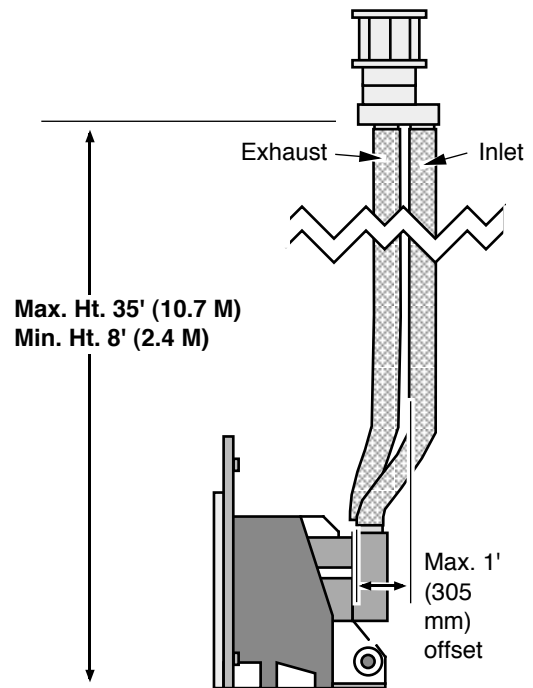
Gas Inlet Pressure

- With the heater off, the inlet pressure must meet the requirements listed in the table below
- ? If the pressure is not sufficient, make sure the piping used is large enough and the total gas load for the residence does not exceed the amount supplied.
- ? The supply regulator (the regulator that attaches directly to the residence inlet or to the propane tank) should supply gas at the suggested input pressure listed below. Contact the local gas supplier if the regulator is at an improper pressure.

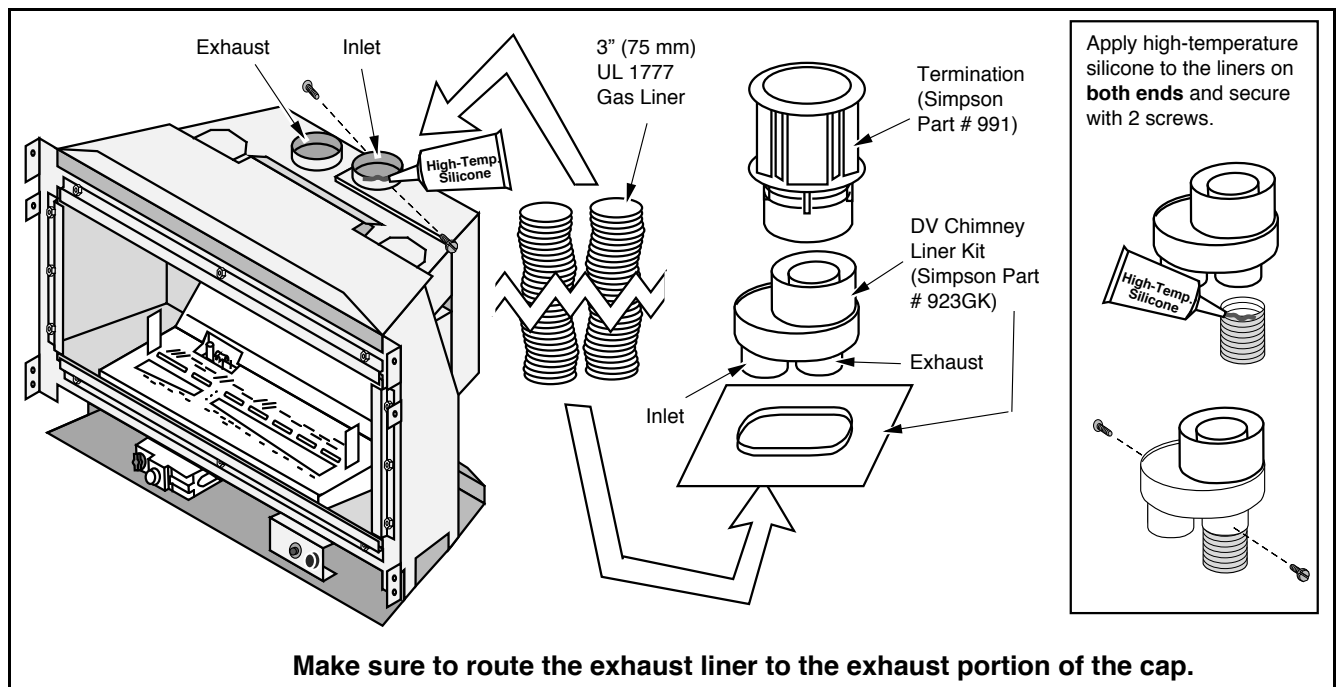
	Standard Input Pressure
Natural Gas	7" W.C. (1.74 kPA)
Propane	11" W.C. (2.73 kPA)

Vent Requirements

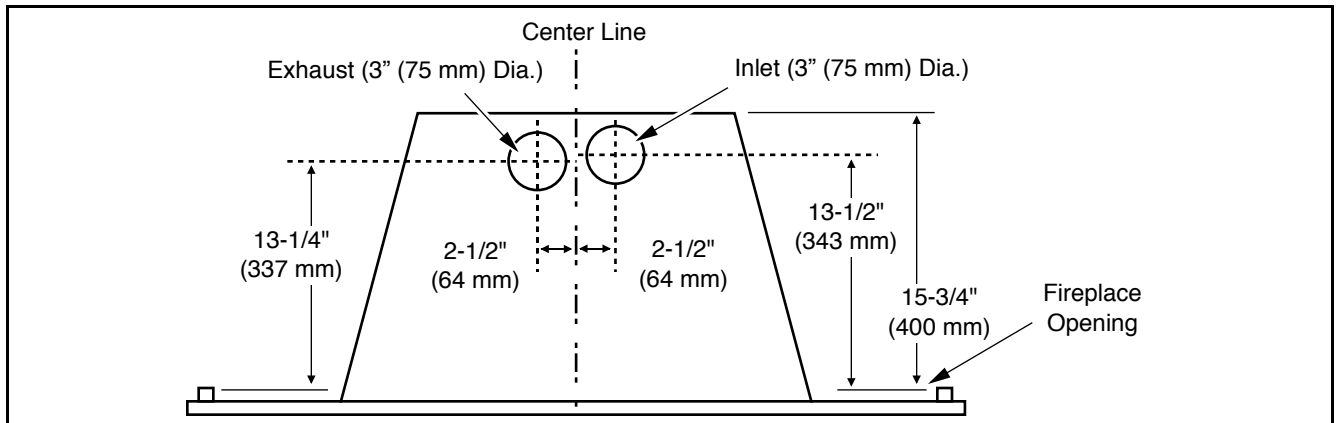
- ! The gas appliance and vent system must be vented directly to the outside of the building, and never be attached to a chimney serving a separate solid fuel or gas-burning appliance. Each direct vent gas appliance must use its own separate vent system.
- ! Make sure the exhaust pipe on the heater connects to the exhaust portion of the cap. The illustrations below show how the flex liners should be attached.
- The exhaust vent must reline the entire length of the chimney and terminate above the chimney top
- ! If the heater is installed at an altitude over 3,000' (914 M) the flame quality will need to be carefully evaluated. See Addendum #1, "Altitude Considerations"(page 35).
- ! Be careful not to crimp or rupture the liner when bending it into chimney offsets
- When installed, the vent must meet all of the vent manufacturer's requirements
- Make sure to order the following:
 - 3" (75 mm) UL 1777 Gas Liner
 - Dura-Vent Adapter & Flashing (part # 923GK).
 - Vertical Termination (part # 991)



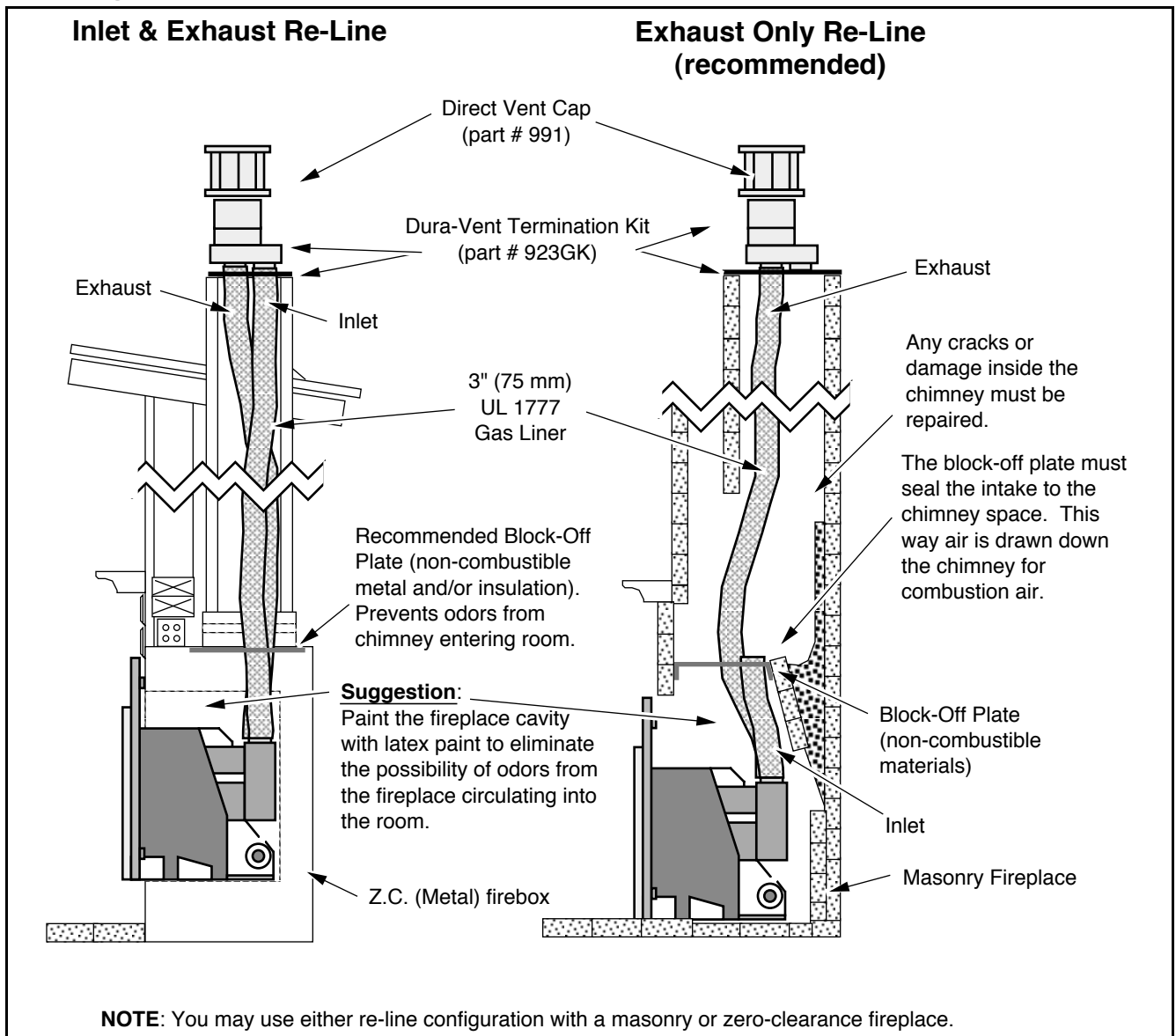
Vent Installation



Vent Location



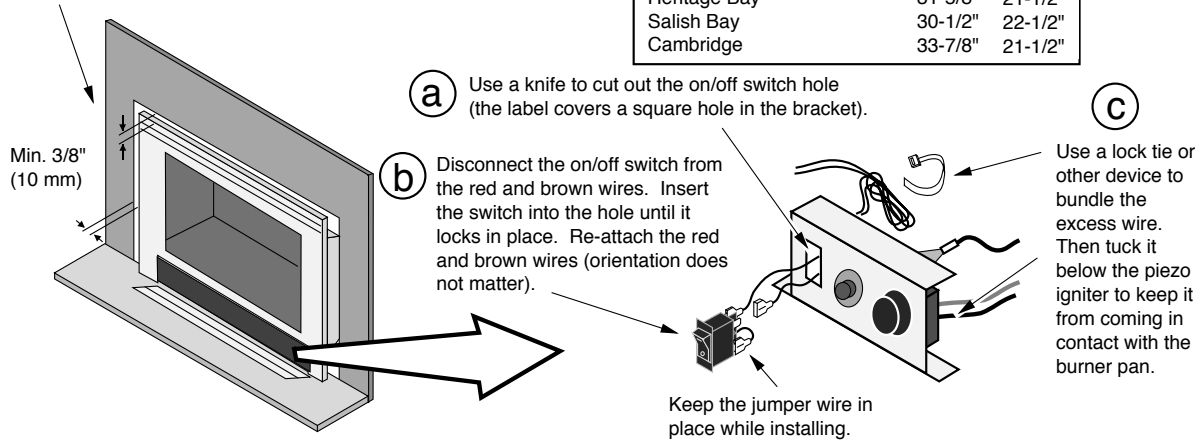
Vent Configurations



Installation Without Surround Panels

The insert may be installed without surround panels if a 3/8" (10 mm) gap is allowed between the sides and top of the face and the fireplace (for ventilation). Wire mesh screen may be placed over this gap.

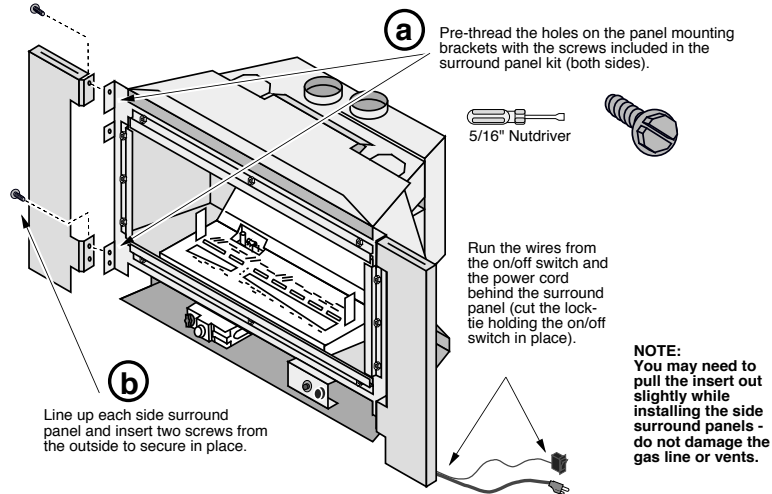
Face Size:		Height
Discovery & Rosario (Avanti)	32"	21-5/8"
FPX 32 DVS	30"	22"
Heritage Bay	31-5/8"	21-1/2"
Salish Bay	30-1/2"	22-1/2"
Cambridge	33-7/8"	21-1/2"



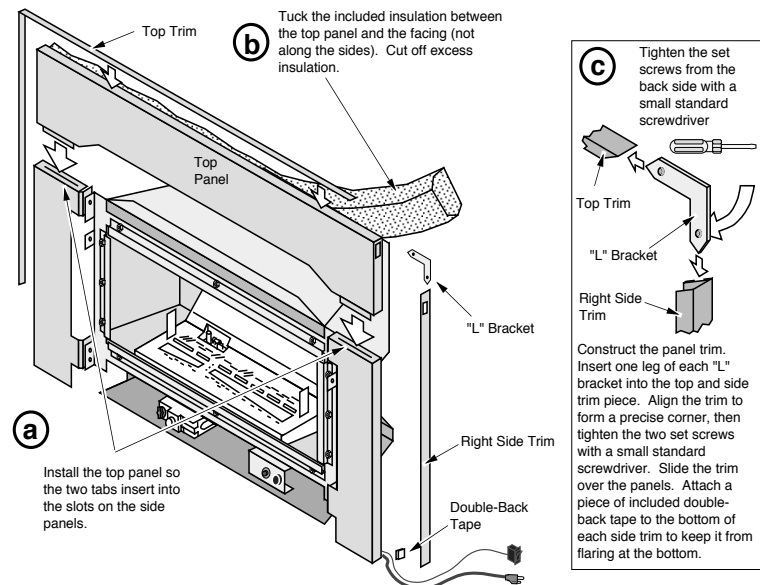
Surround Panel Installation

PANEL SIZE	WIDTH	HEIGHT	PART #
8" x 10"	40-3/8"	28-7/8"	98500610
10" x 13"	44-3/8"	31-7/8"	98500611

1 Follow the instructions to the right for installing the side panels.

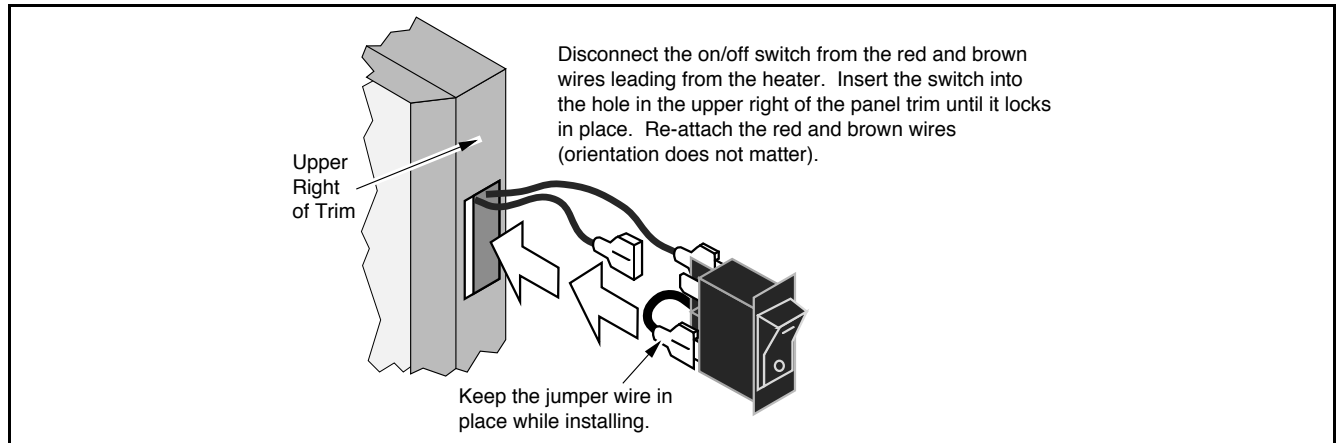


2 Follow the instructions to the right for installing the top panel, insulation, and trim.



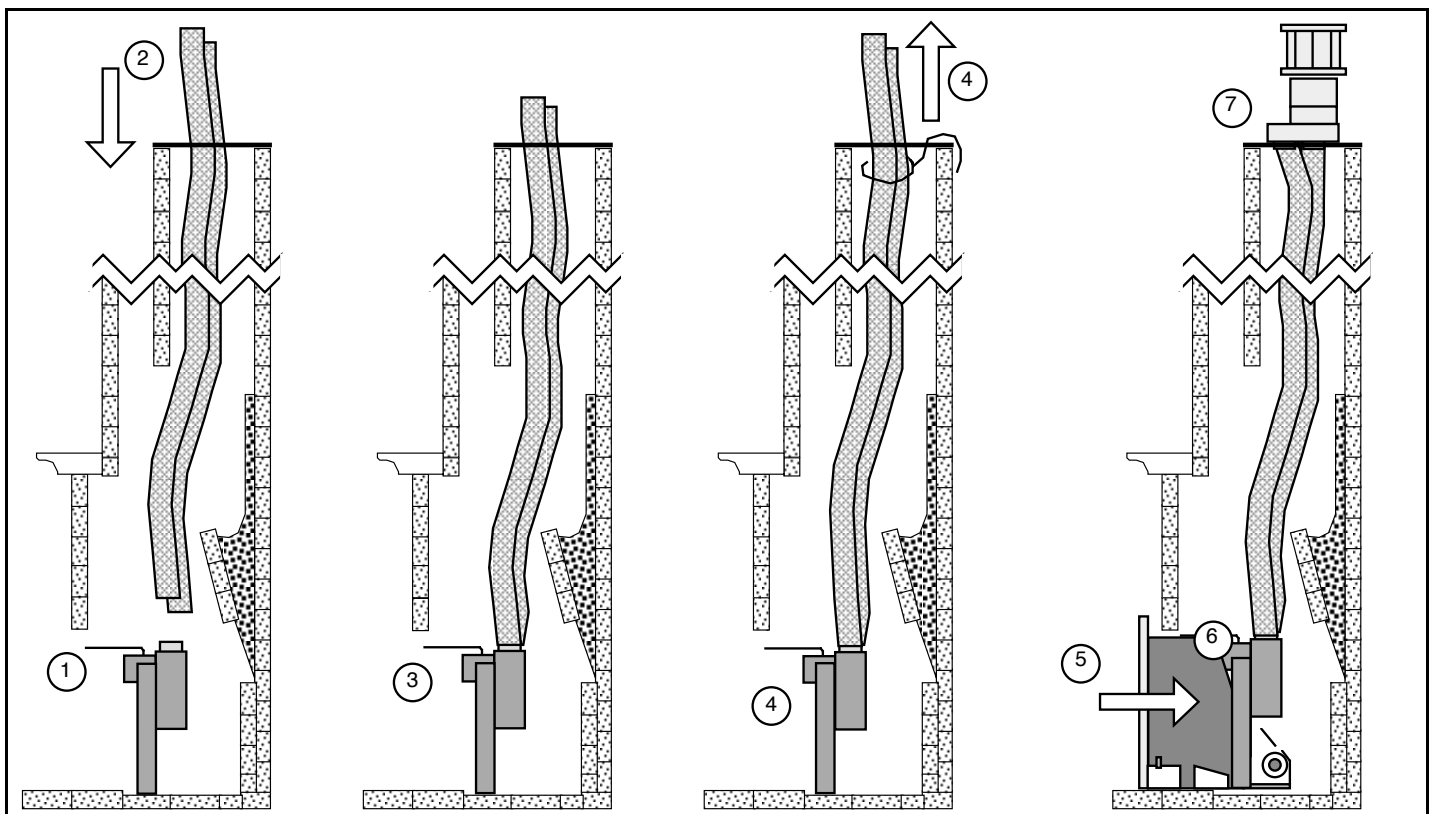
Surround Panel Installation (continued)

- 3 Install the on/off switch following the directions below.



Manifold Removal and Installation

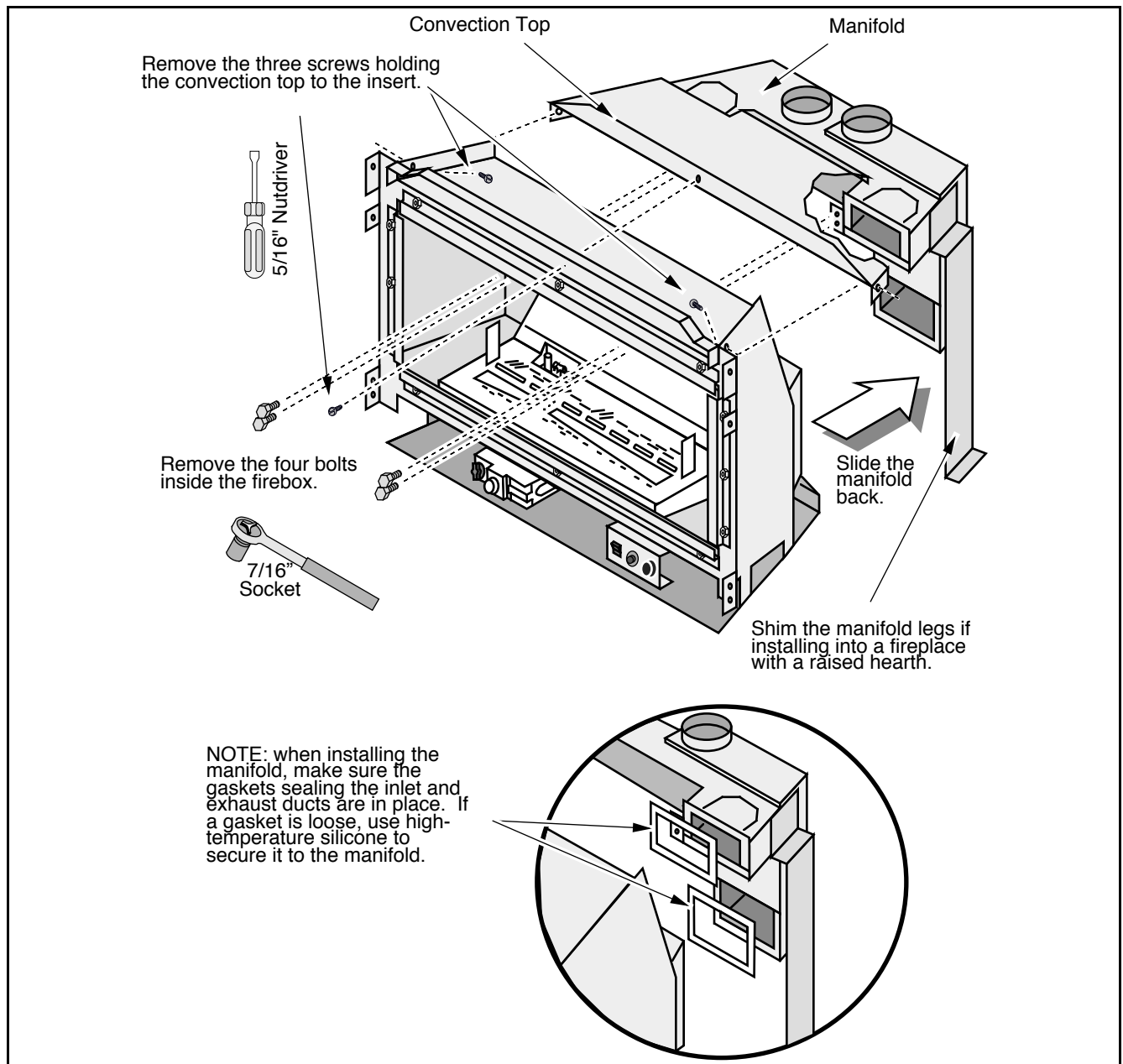
- The manifold is shipped attached to the insert, but may be removed to facilitate especially tight installations. See the directions below for installation.
- 1 Remove the manifold and place it within the fireplace (see the instructions on the following page).
 - 2 Route the flex vent through the chimney from above (leave an extra 3' (914 mm) at the top).
 - 3 Attach the flex vent to the manifold (seal with silicone and attach with screws).
 - 4 Place the manifold in an upright position (so it rests on the manifold legs) and have a partner pull on the excess flex vent. Temporarily attach the flex vent to the top of the chimney (leave extra slack).
 - 5 Slide the insert into place, guiding the convection top over the insert until fully in place.
 - 6 After removing any slack from the flex vent, attach the manifold to the appliance.
 - 7 Remove any excess slack in the flex line then attach the vent termination.



MANIFOLD REMOVAL:

- 1 Remove the glass (see the instructions on page 14).
- 2 Remove the four bolts inside the firebox that hold the manifold to the exhaust ducts.
- 3 Remove the three screws holding the convection top to the insert.

NOTE: When replacing the manifold, use the convection top to guide the manifold. You may also reach through the exhaust ducts to guide the manifold forward to the appropriate location.



Electrical Connection

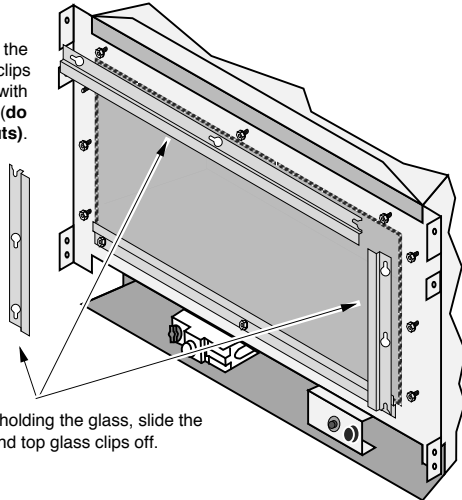
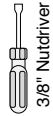
- Plug the power cord into a grounded 120 Volt outlet (do not remove the grounding plug).

- ! Turn the gas control valve to "OFF" prior to conducting any service.
- 1 Follow the instructions below to remove the glass.

Removing the Glass

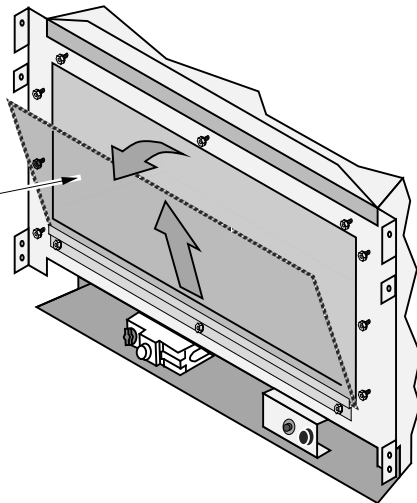
(a)

Loosen the nuts on the top and side glass clips until they are flush with the end of the stud (do not remove the nuts).



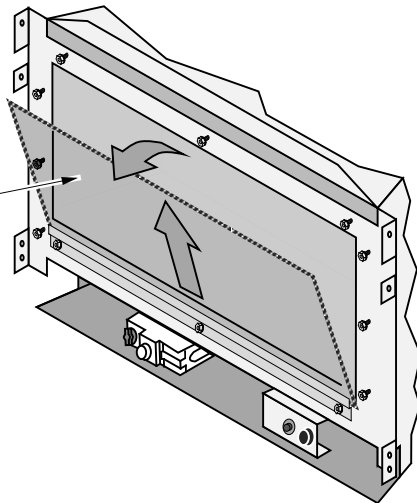
(b)

While holding the glass, slide the side and top glass clips off.

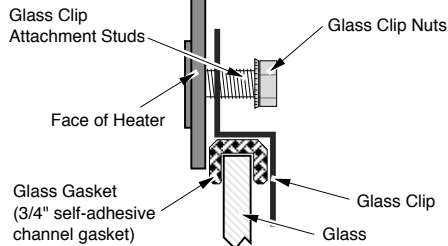


(c)

While holding the glass, loosen the nuts on the bottom glass clip until they are flush with the end of the stud. Pivot the glass forward and remove.



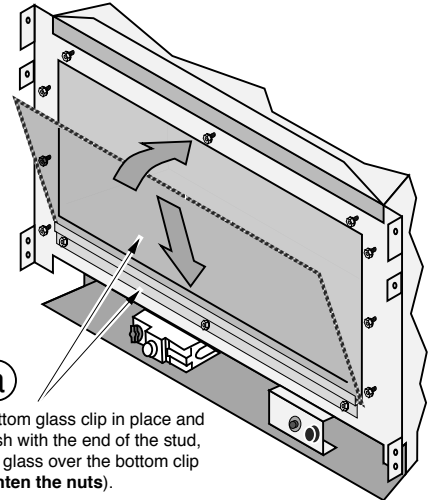
Cross Section of Glass Attachment



Replacing the Glass

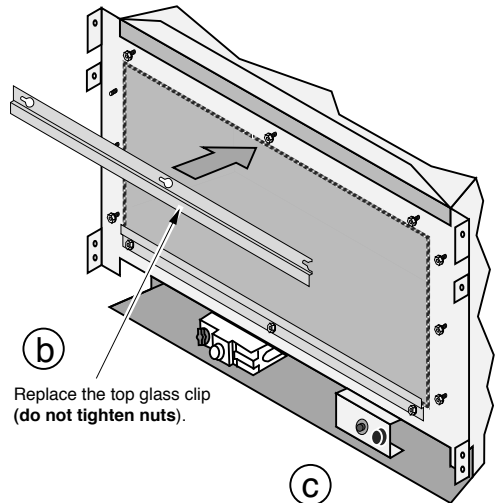
(a)

With the bottom glass clip in place and the nuts flush with the end of the stud, position the glass over the bottom clip (do not tighten the nuts).



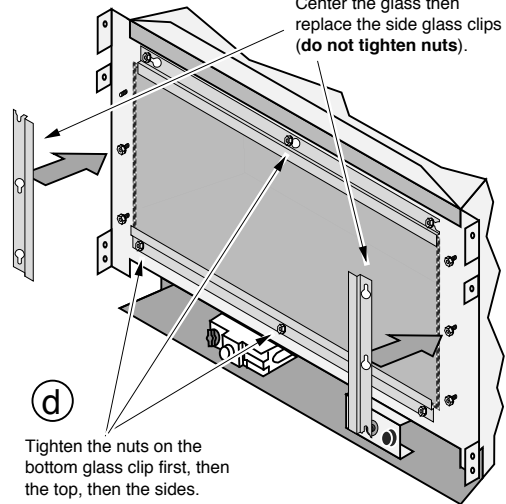
(b)

Replace the top glass clip (do not tighten nuts).



(c)

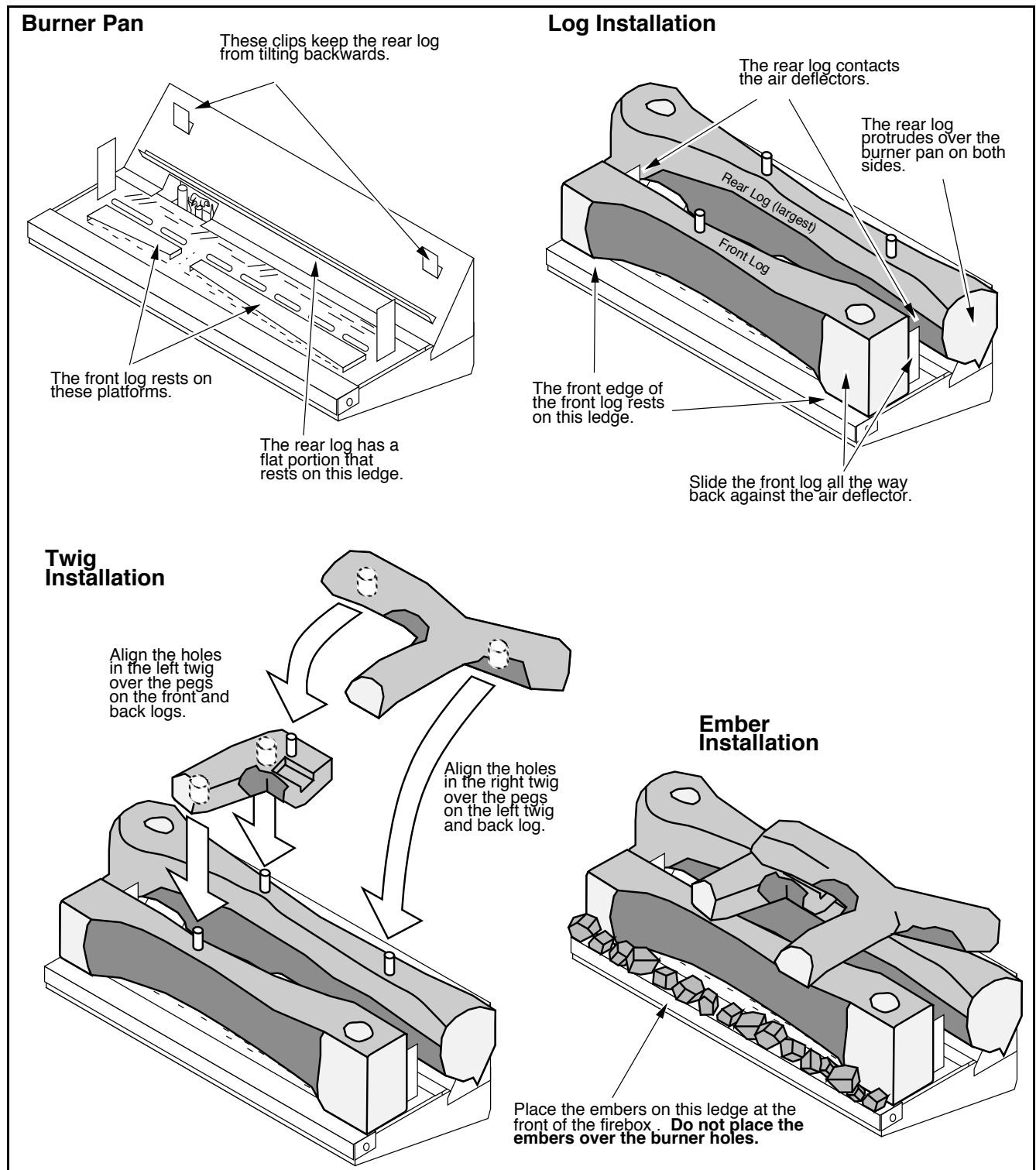
Center the glass then replace the side glass clips (do not tighten nuts).



(d)

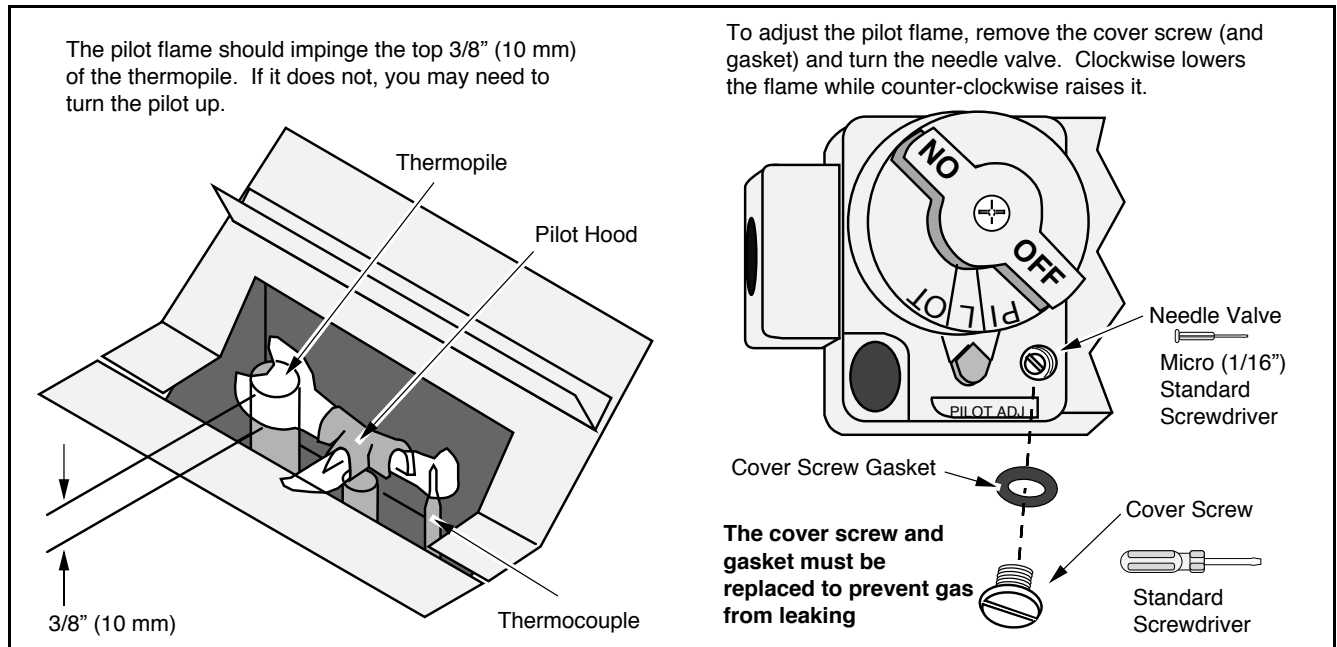
Tighten the nuts on the bottom glass clip first, then the top, then the sides.

2 Install the logs, twigs, and embers.



- ! We recommend you purge the gas line at this time (with the glass removed). This allows gas to be detected once it enters the firebox, ensuring gas does not build up.
- 3 Install the face following the instructions included with the face (**NOTE:** The **FPX 32 DVS** requires the glass to be replaced prior to installing the face - see step 4 below).

- 4 Replace the glass. Make sure the glass is centered, the gasket remains in place, and the glass forms an air-tight seal. Tighten the glass clips to secure the glass. See the illustration on page 14.
- 5 Turn on gas to the heater. Leak test all gas joints prior to starting the appliance. Start the pilot. Start the main burner. Leak test all gas joints again.
- 6 Check the pilot flame to make sure it looks like the illustration below. Adjust the pilot flame if necessary.



- 7 Let the heater burn for fifteen minutes. Adjust the air shutter, if necessary, to achieve the correct flame (see the illustration below).
- The air shutter adjusts the amount of air that mixes with the gas before it exits the burner holes. It is used to fine-tune the flame for differences in altitude and vent configuration.

Locate the air shutter adjustment lever behind the gas control valve. Move it up or down until the flame is correct. Pushing up gives the flame more air (making it bluer). Pulling it down cuts air down, making it more orange.

NOTE: If the air control is all the way up, yet the flames remain sooty, shut off gas to the fireplace and contact a qualified gas service technician.

Gas Control Valve

NOTE: The logs must be installed correctly to monitor the flame while adjusting the air shutter.

Correct

Flames should be blue at the base, yellow-orange on the top.

Not Enough Air

If the flames are too tall or sooty on the ends, push up on the lever.

Too Much Air

If the flames are all blue and short, pull down the lever.

- ! If the air shutter is in its fully open position, yet the flames remain sooty, shut off gas to the heater and contact your Travis Industries Dealer for a remedy.
- ! If the vent configuration is installed incorrectly the vent may cause the flames inside the heater to lift or "ghost" – a dangerous situation. Inspect the flames after installation to insure proper performance. If the vent configuration is correct, yet the flames are lifting or ghosting, shut off gas to the heater and contact the dealer for information on remedying the problem.

Burner Pan

The flames should burn right off the top of the burner ports (if they are too blue, adjust the air control).

Burner Ports (consists of slots and holes)

If the flames are lifting, yet the vent configuration is correct, contact your dealer.

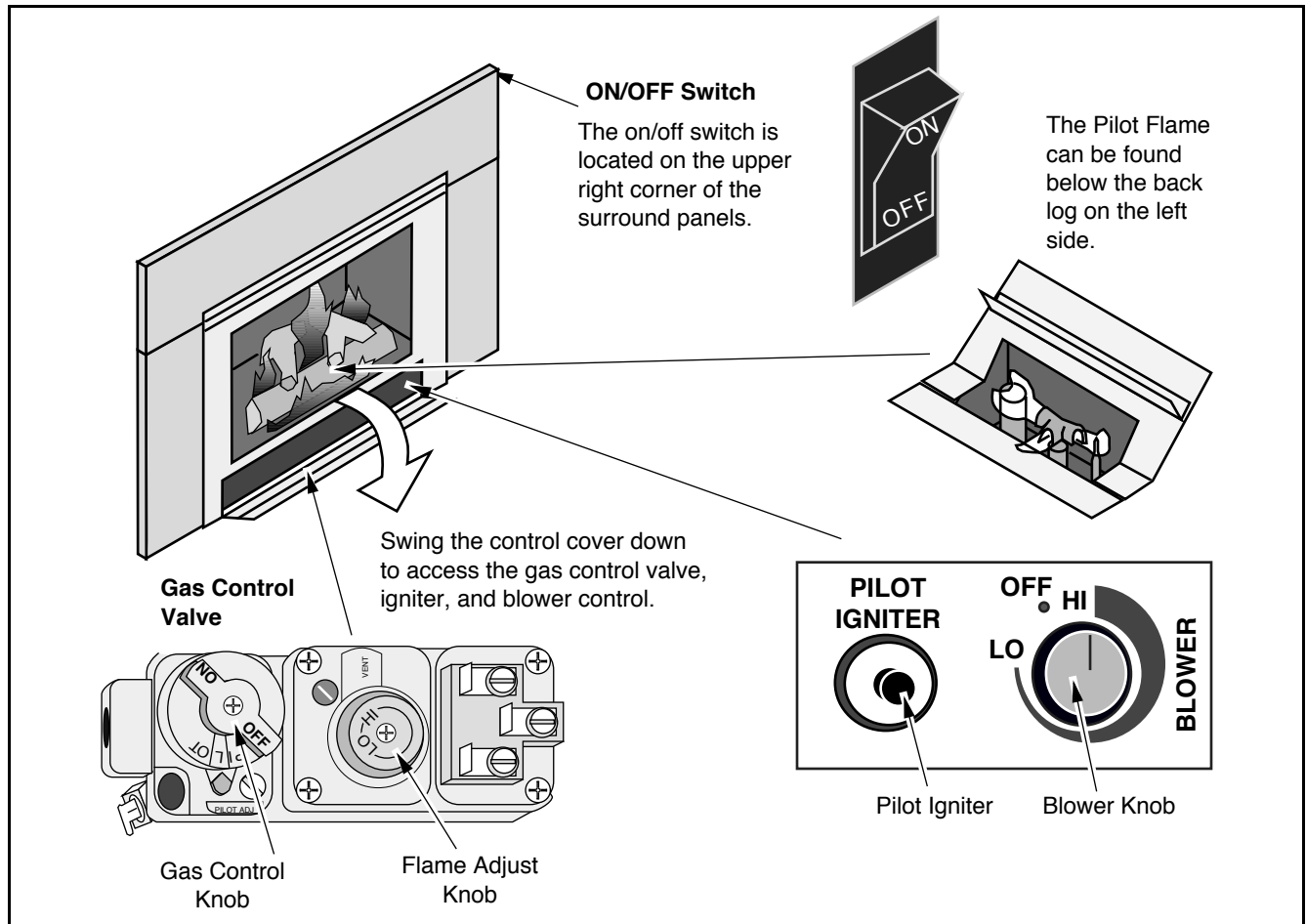
If the flames are ghosting, yet the vent configuration is correct, contact your dealer.

- 8 Turn the flame adjust knob to its highest position - the flames should be approximately 8". Check the flame on low position. The flames should burn off of each burner hole. If the heater does not work correctly, contact your dealer for a remedy.
- 9 Give this manual to the home owner and fully explain the operation of this heater.

Before You Begin

! **Read this entire manual before you use your new appliance (especially the section "Safety Precautions" on pages 2 & 3). Failure to follow the instructions may result in property damage, bodily injury, or even death.**

Location of Controls - See explanation below



On/Off Switch

This control is used to turn the main burner on and off.

Gas Control Knob

This knob is used to control gas to the heater and for starting the pilot. There are three positions, ON, OFF, & PILOT. The pointer directly below the knob indicates the position this knob is in.

Flame Adjust Knob

This knob controls the flame height from low ("LO") to high ("HI"). The pointer to the upper left of the knob indicates the setting.

Pilot Igniter

The pilot igniter is used only to start the pilot. When pressed, it sends an electrical charge to the pilot assembly. This creates a blue spark directly next to the pilot, igniting the pilot flame.

Blower Knob

This knob controls the speed of the internal convection blower that pushes the heated air into the room.

? If using a remote control or thermostat, the On/Off Switch must be left "ON". Turning the On/Off Switch "OFF" will keep the heater off always.

Starting The Pilot Flame

The pilot flame is required to ignite the main burners (it also plays a safety role). It should be left on once lit. It will stay lit unless the gas control valve is turned to "OFF". However, the pilot will go out if the gas is shut off, the propane tank runs out (or low) or if the stove malfunctions. If the pilot turns off frequently, call your dealer for information. To start the pilot follow the directions below:

WARNING:

When lighting or re-lighting the pilot, the glass must be removed (see page 14).

- a Remove the glass (see page 14 for details).
- b Push the gas control knob in slightly and turn it to the "OFF" position. The knob will not turn from "ON" to "OFF" unless the knob is depressed slightly. Wait five minutes to let any gas that may have accumulated inside the firebox escape. If you smell leaking gas, follow the directions on the cover "IF YOU SMELL GAS".
- c Turn the gas control knob to the "PILOT" position and press the knob in, this will allow gas to flow to the pilot light. Press the red button on the pilot igniter repeatedly until you see the pilot light.

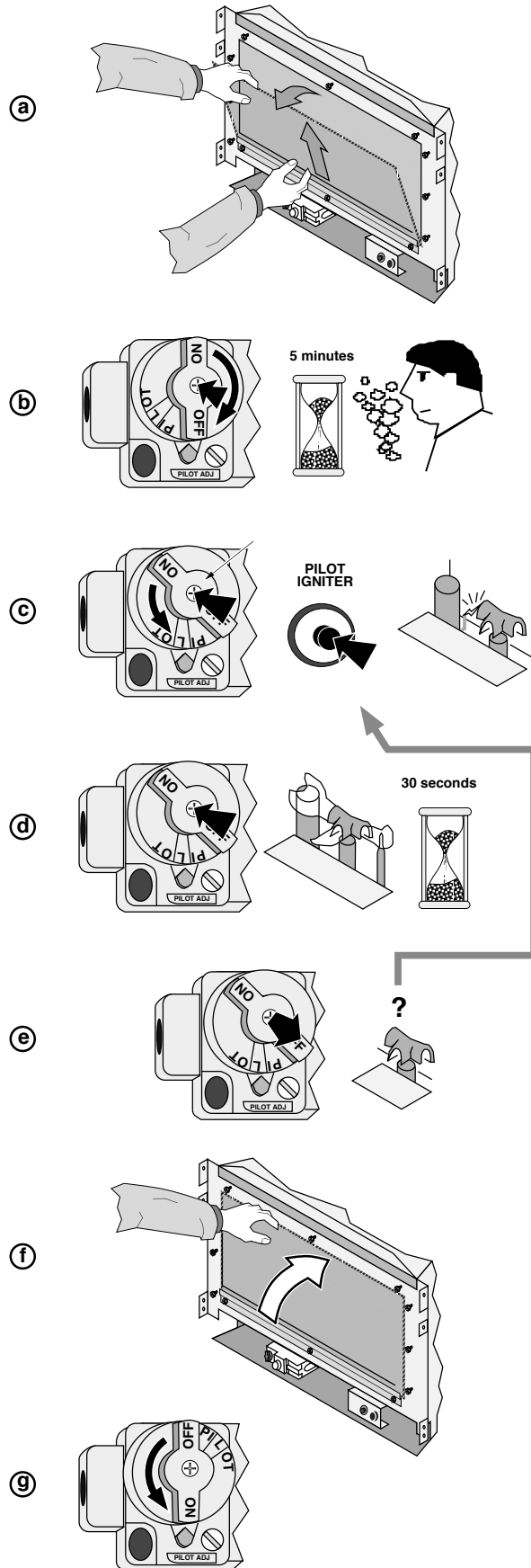
WARNING:

If the pilot does not light after 15 seconds, release the knob and call your dealer for service. Do not attempt to light pilot until service has been performed.

NOTE:

You may wish to remove the log set to gain a better view of the pilot (see page 15).

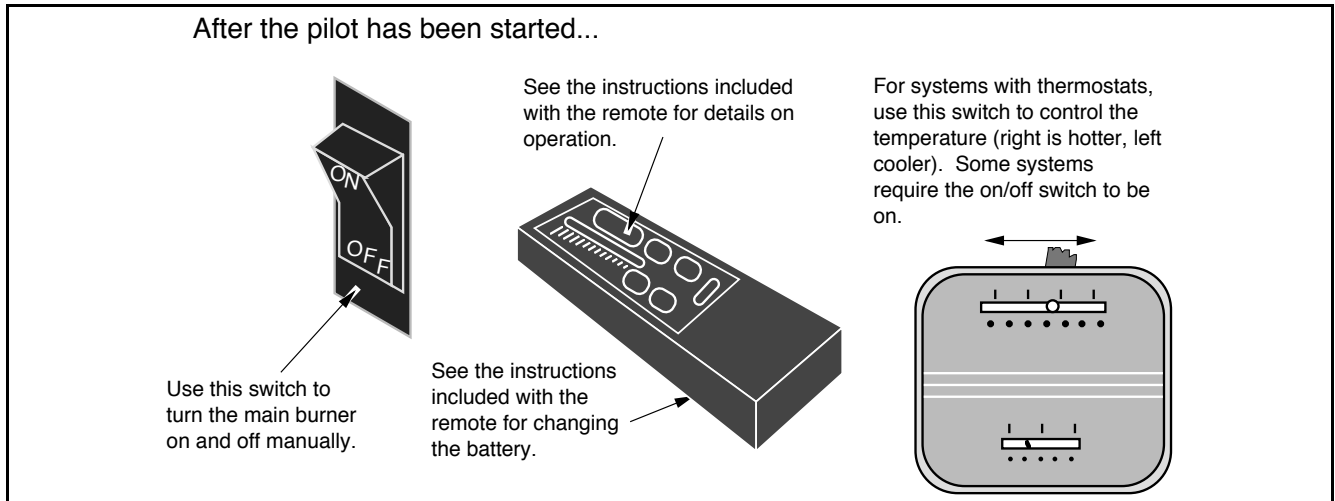
- d Keep the gas control knob depressed for 30 seconds once it is lit.
- e Release the gas control knob. If the pilot goes out, repeat step C. If the pilot refuses to stay lit, call your dealer for service. With the pilot lit, proceed to step "f".
- f Replace the glass.
- g Turn the gas control knob counter-clockwise to "ON". The pilot is now lit and the heater can be turned on and off.



Starting the Heater for the First Time

- + Start the heater and allow it to burn on medium for one hour. This will help cure the paint.
- + **Fumes** and smoke from the paint curing and oil burning off the steel may occur the first time you start your heater. This is normal. We recommend you open windows to vent the room.
- + **Condensation** may appear on the glass each time you start the heater - this is normal.
- + **Blue Flames** will occur on the heater when it first comes on. After fifteen minutes the flames will turn a more realistic yellow and orange color.
- ? Certain installations use a remote "wall switch" to turn the heater on and off. If this is the case, leave the ON/OFF switch "ON".

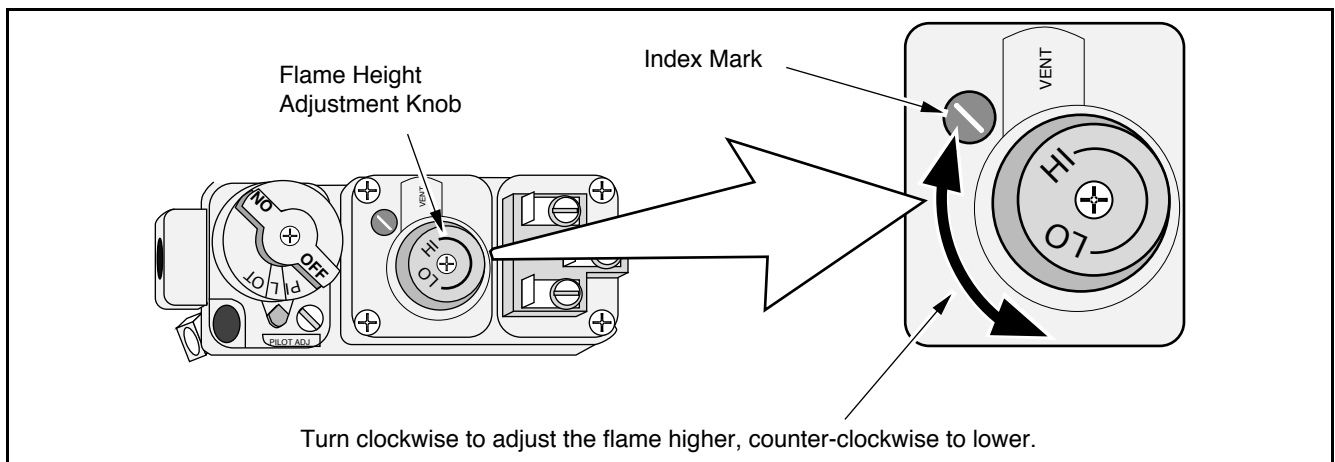
Turning the Heater On and Off



- ! Do not place any combustible items on top of or directly in front of the heater, even temporarily. The optional thermostat may start the heater causing a combustible item to ignite.
- ? If the heater turns on and off frequently while using the thermostat, you may want to adjust the flame height down until it produces just enough heat needed.

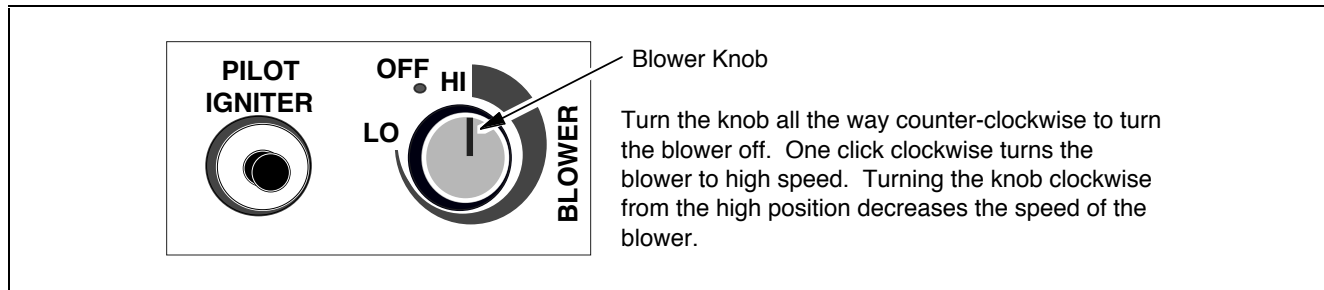
Adjusting the Flame Height

- + Your heater has an adjustable flame to tailor the look and heat output to your specific needs. It is adjusted by turning the middle dial on the gas control valve.

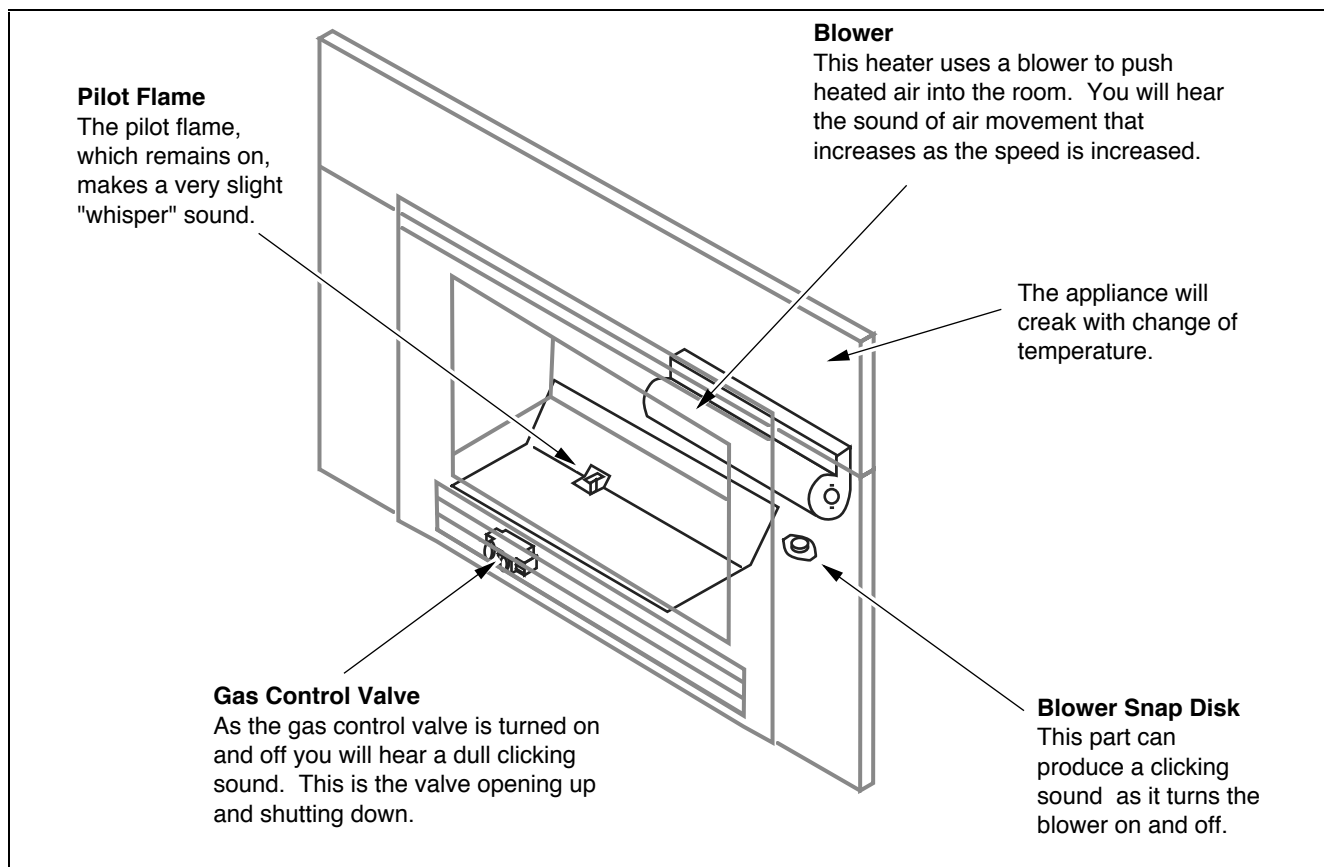


Adjusting the Blower Speed

- + The blower helps transfer the heat from the heater into the room. It will not turn on until the heater is up to temperature (approximately 10 minutes after starting). See the illustration below for instructions on adjusting the blower speed.



Normal Operating Sounds



Maintaining Your Heater's Appearance

- ! Fingerprints or other marks left on the gold surface may become etched in place if they are not wiped clean prior to turning the heater on. Clean the surfaces with denatured alcohol and a soft cloth.

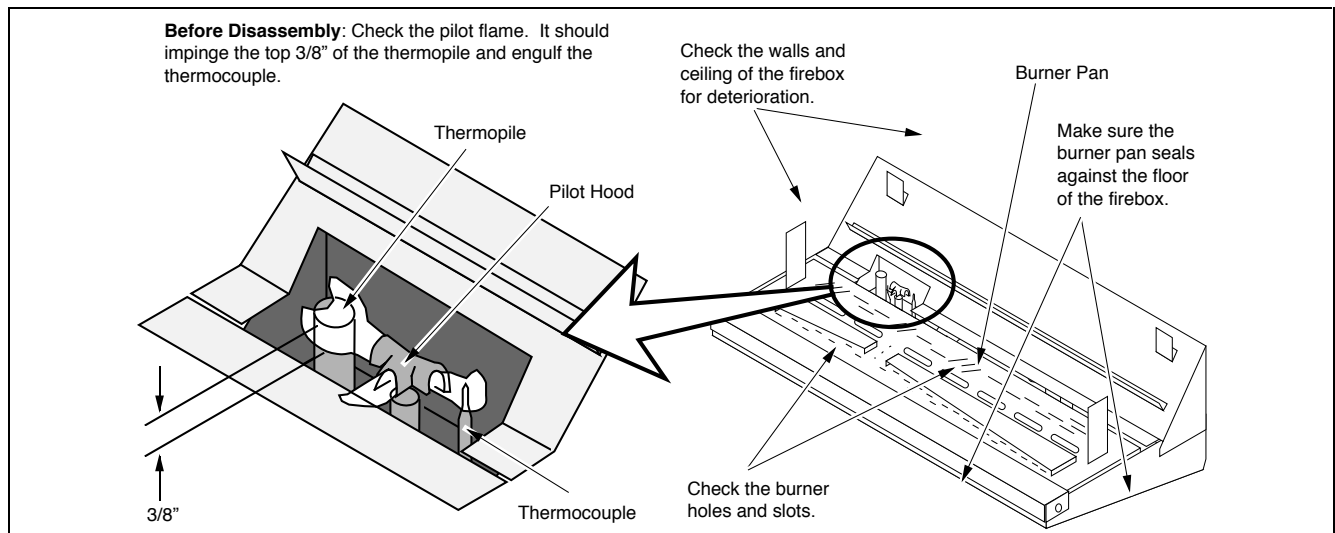
Cleaning Your Heater

- Use denatured alcohol and a soft cloth to clean the gold surfaces. Other cleaners may leave a film that may become etched into the gold.
- All other surfaces may be cleaned with a soft rag, soap and water.

Yearly Service Procedure

- ! Failure to inspect and maintain the heater may lead to improper combustion and a potentially dangerous situation. We recommend the following procedures be done by a qualified technician.
- 1 Check the pilot flame. It should engulf approximately 3/8" of the top of the thermocouple (see illustration below). If it does not, contact your dealer or a qualified technician for service.
 - 2 Shut off gas to the heater by turning the gas control knob to "OFF" (see step A under "Starting the Pilot" on page 19). Let the heater cool for 15 minutes. Remove the door and face (see the instructions included with the face) and remove the glass (see page 14).
 - 3 Remove the logs, twigs and embers (see page 15 - **NOTE: the logs are fragile**). If any log is cracked or deteriorated, replace it when re-installing. Check the logs for sooting. A small amount of soot along the bottom of the logs is normal. If excessive sooting is found, the heater will require adjustment. Contact your dealer or a qualified technician for service.
 - 4 Clean the burner pan (especially in the burner holes and slots) and inspect the following:
 - Check for burner pan holes that are cracked, severely warped, or corroded.
 - Make sure the burner pan assembly fits flat against the floor of the firebox.
 - Check the firebox and area around the pilot to make sure there is no warping or damage.

If any problem is found, discontinue use and contact your dealer for or a qualified technician for service.



- 5 Replace the log set. Inspect the glass gasket. If it is deteriorated, replace. It may be re-attached to the glass using high-temperature gasket cement (see page 14 for an illustration). If the glass is damaged, replace it. Replace the glass and tighten the glass clip nuts fully. Make sure the gasket forms a seal and the side pieces of glass butt up against the center piece. If needed, re-align or replace the gasket to insure an air-tight seal. Replace the door.
- 6 Inspect the area behind the control cover. Check the gas control valve and all of the gas lines. If any damage is found, discontinue use and contact your dealer for service.
- 7 Start the pilot and turn on the main burner. The flames should be orange/yellow and not touch the top of the firebox. If the pilot or main burners do not burn correctly, contact your dealer for service. Monitor the blower operation.
- 8 Remove any debris or vegetation near the vent termination. Contact your dealer if any sooting or deterioration is found near the vent termination.

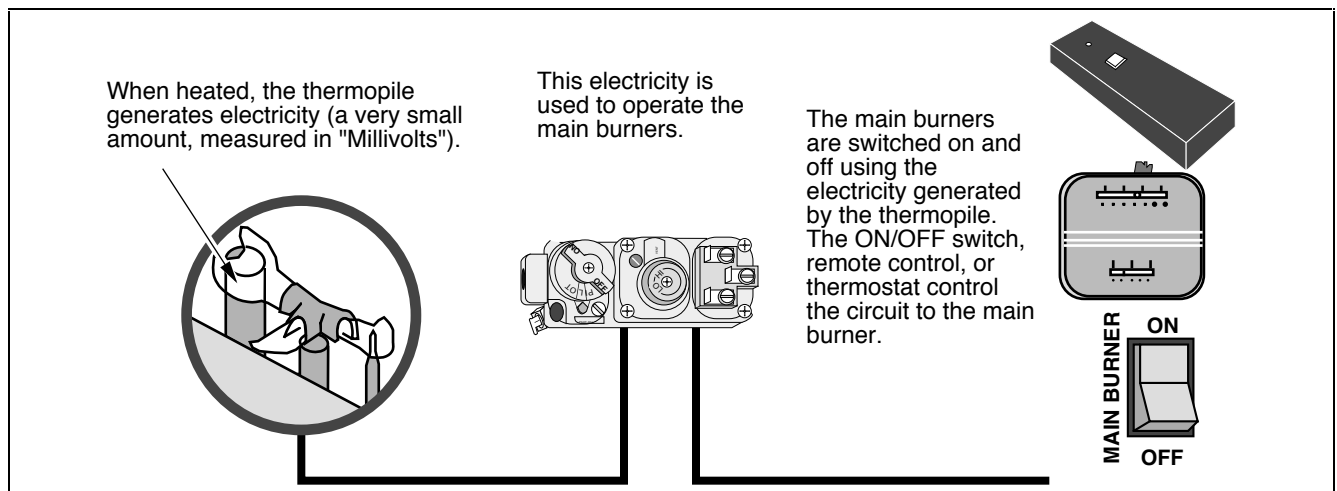
Problem:	Possible Cause:	Don't Call for Service Until You:
Pilot Will Not Flame	A gas shut off valve is turned off.....	Check all gas shut off valves
	The gas control knob isn't turned to "PILOT".....	See "Starting the Pilot Flame"
	The valve control knob isn't pushed in.....	See "Starting the Pilot Flame"
	The igniter wasn't pressed repeatedly.....	See "Starting the Pilot Flame"
Main Burners Will Not Start	The pilot flame has gone out.....	See "Starting the Pilot Flame"
	The gas control valve is turned to "PILOT" or "OFF"	See "Starting the Pilot Flame"
	The ON/OFF switch is turned to "OFF".....	Turn the ON/OFF switch to "ON"
	The remote control is not working correctly.....	Replace the batteries
	The thermostat is disconnected or set too high.....	Set the thermostat to a lower temperature
Remote Control Does Not Work	The pilot light has gone out.....	See "Starting the Pilot Flame"
	The gas control valve is turned to "PILOT" or "OFF"	See "Starting the Pilot Flame"
	The ON/OFF switch is turned to "OFF".....	Turn the ON/OFF switch to "ON"
	The remote is too far away from the heater.....	Use the remote closer to the heater
	The remote control receiver is turned "OFF".....	See the remote control instructions
	One of the two remote control batteries is dead.....	See the remote control instructions
Thermostat Does Not Work	The pilot flame has gone out.....	See "Starting the Pilot Flame"
	The gas control valve is turned to "PILOT" or "OFF"	See "Starting the Pilot Flame"
	The ON/OFF switch is turned to "OFF".....	Turn the ON/OFF switch to "ON"
	The thermostat is set too high.....	Set the thermostat to a lower temperature
Blower Does Not Operate	The heater is not getting electricity.....	Check the outlet switch
	The heater is not up to temperature.....	See "Operating Your Heater"
Flames Are Too Blue	The heater has just been started.....	This is normal - see "Starting the Heater for the First Time"
Flames Are Too Short (Under 6")	The flame height may be turned too low.....	Turn the flame height to "HI" - See "Adjusting the Flame Height"

How this Heater Works

- ! This heater was designed with safety as the primary concern. Many of the components inside this heater are for safety purposes. Therefore, only certified gas service technicians should service this heater.

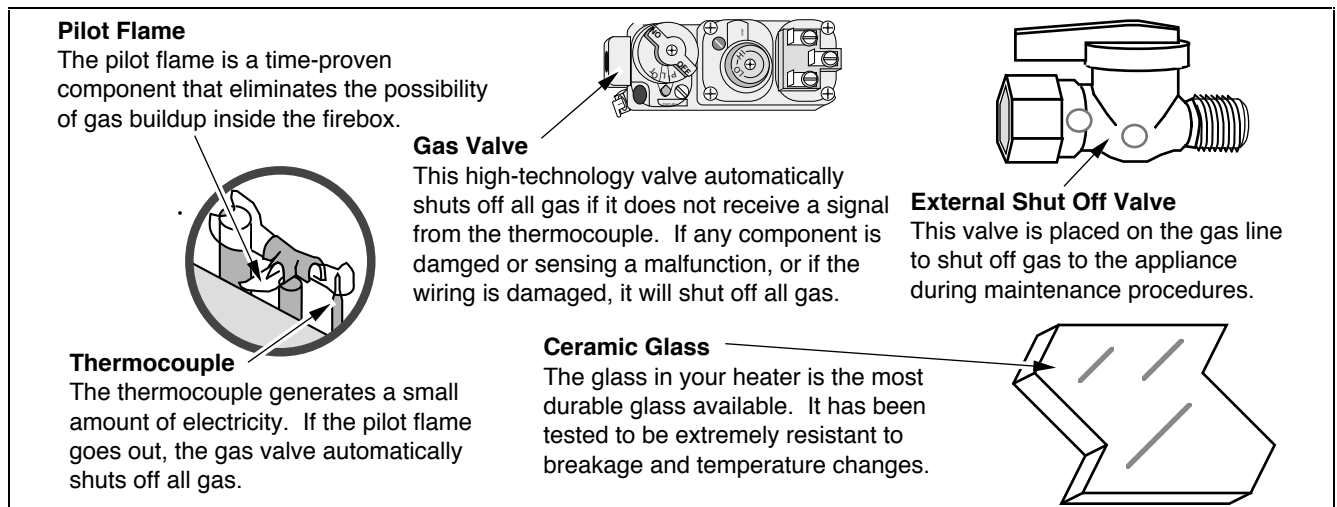
What Turns the Main Burners On and Off

This heater uses a millivolt system to control its operation (a millivolt is a very small amount of electricity). The thermopile and thermocouple generate electricity when heated by the pilot flame. This electricity is used to operate the gas valve. Without enough electricity, the gas valve will not turn on. That is why when starting the pilot the gas control knob has to be pressed in long enough for the thermocouple to heat up and generate enough electricity. The thermopile provides power for the ON/OFF switch, remote control, or thermostat (see the illustration below). Because the thermopile generates the electricity needed to turn the heater on and off, this heater can be operated when the power is out (although the blower will not run).



What Prevents Gas Buildup

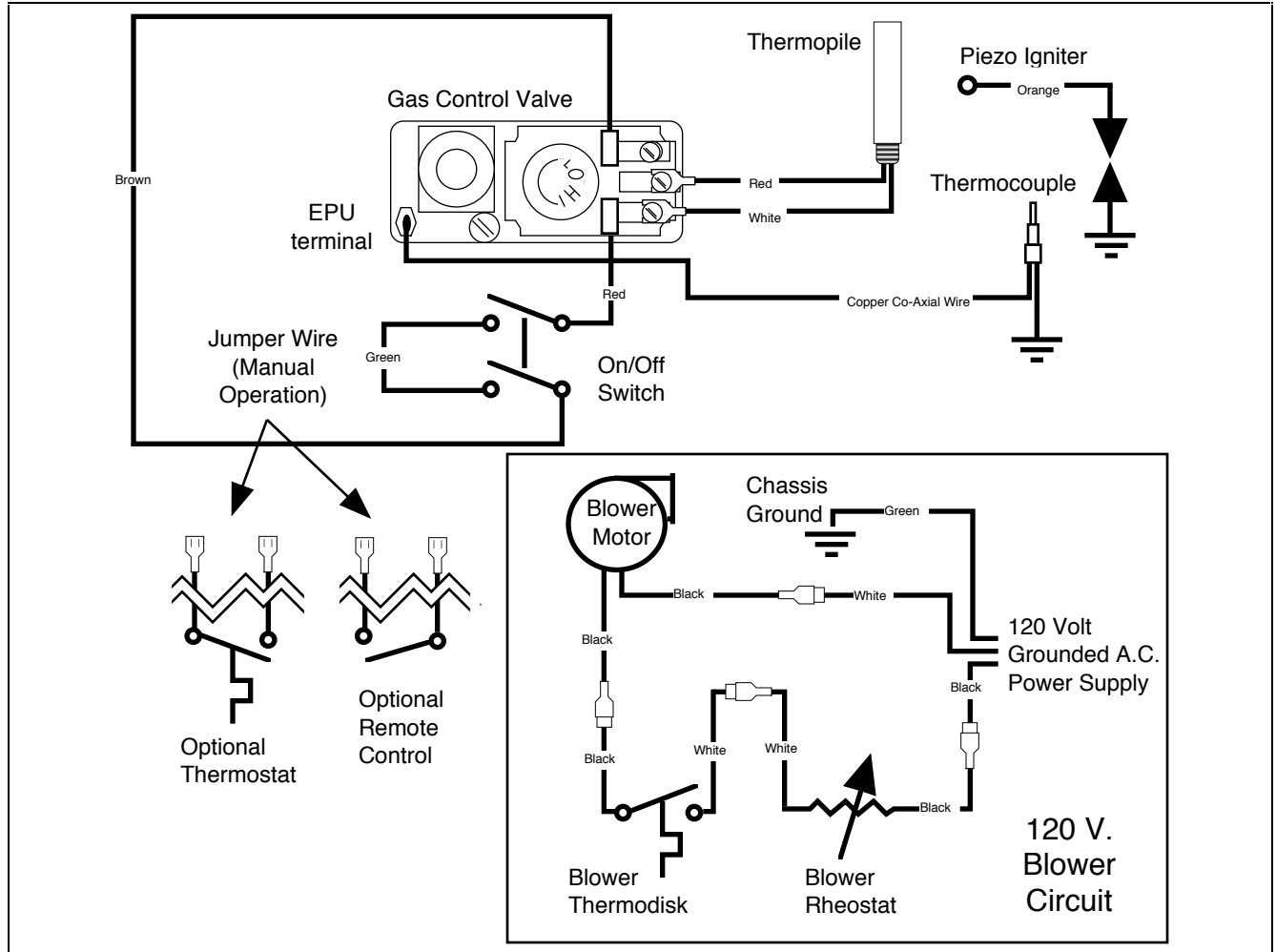
- + This appliance utilizes a high-technology gas valve in conjunction with a pilot flame to ensure no gas builds up inside the firebox.
- + The thermocouple (next to the pilot) senses when the pilot flame is lit. If the pilot flame goes out, this thermocouple no longer generates electricity, causing the gas valve to automatically shut off all gas to the heater, preventing the pilot from spilling gas into the firebox.



Why Nothing Should Be Placed Against the Heater

Your heater has a grill on the sides, bottom, and top that must not be blocked. These openings are used to draw room air over the hottest parts of the heater and distribute the warmed air into the room. If they are blocked, the heater will not heat as well and may become too hot internally.

Wiring Diagram



To register your TRAVIS INDUSTRIES, INC. 7 Year Warranty, complete the enclosed warranty card and mail it within **ten (10)** days of the appliance purchase date to: TRAVIS INDUSTRIES, INC., 10850 117th Place N.E., Kirkland, Washington 98033. TRAVIS INDUSTRIES, INC. warrants this gas appliance (appliance is defined as the equipment manufactured by Travis Industries, Inc.) to be defect-free in material and workmanship to the original purchaser from the date of purchase as follows:

Years 1 & 2 - COVERAGE: PARTS & LABOR

Burner Assembly:

Burner, Burner Pan, Air Shutter Assembly, Main Burner Orifice

Firebox Assembly:

Adjustable Air Restrictor, Pressure Relief Mechanisms, Barometric Control Mechanism (for models with Remote Heat Ducts), Glass Attachment Mechanism

Electrical Assembly (within heater structure):

Blower, wiring harness, snap discs, rheostat speed control

Gold & Nickel Plating

Face & Door (see "Conditions and Exclusions" # 9)

Gas Control Assembly

Adjustable control valve, millivolt wiring and connectors (located within the metal heater structure), thermopile, thermocouple, pilot hood, orifices, pilot gas line, piezo ignitor

Ceramic Glass

Glass (breakage from thermal shock)

Ceramic Logs

Log Set, Coals, Ember Strip (Steel Fiber)

Accessories

Cast Brick, Cast Firebacks, Power Heat Ducts, Andirons

Convection Heat Exchanger

Re-Installation Allowance

In cases where heater must be removed from home for repairs, a partial cost of re-installation is covered (pre-authorization required)

One-Way Freight Allowance

One-way freight allowance on pre-authorized repair done at factory is covered.

Exclusions: Paint, Gasketing

Years 3 THROUGH 5 - COVERAGE: PARTS & LABOR

Burner Assembly:

Burner, Burner Pan, Air Shutter Assembly, Main Burner Orifice

Convection Heat Exchanger

Firebox Assembly:

Adjustable Air Restrictor, Pressure Relief Mechanisms, Barometric Control Mechanism (for models with Remote Heat Ducts), Glass Attachment Mechanism

One-Way Freight Allowance

One-way freight allowance on pre-authorized repair done at factory is covered.

Exclusions: Paint, Gasketing, Electrical Assembly, Gas Control Assembly, Ceramic Glass, Ceramic Logs, Gold & Nickel Plating, Accessories, Re-Installation Allowance

Years 6 & 7 - COVERAGE: PARTS ONLY

Burner Assembly:

Burner Tubes, Burner Pan, Air Shutter Assembly, Main Burner Orifice

Firebox Assembly:

Adjustable Air Restrictor, Pressure Relief Mechanisms, Barometric Control Mechanism (for models with Remote Heat Ducts), Glass Attachment Mechanism

Exclusions: Paint, Gasketing, Electrical Assembly, Gas Control Assembly, Ceramic Glass, Ceramic Logs, Gold & Nickel Plating, Accessories, Convection Heat Exchanger, Re-Installation Allowance, One-Way Freight Allowance, Labor


CONDITIONS & EXCLUSIONS

- This new gas appliance must be installed by a qualified gas appliance technician. It must be installed, operated, and maintained at all times in accordance with the instructions in the Owner's Manual. Any alteration, willful abuse, accident, neglect, or misuse of the product shall nullify this warranty.
- This warranty is nontransferable, and is made to the ORIGINAL purchaser, provided that the purchase was made through an authorized TRAVIS dealer.
- Discoloration and some minor expansion, contraction, or movement of certain parts and resulting noise, is normal and not a defect and, therefore, not covered under warranty. The installer must ensure the appliance is burning as per the rating tag at the time of installation. Over-firing (operation above the listed BTU rate) of this appliance can cause serious damage and will nullify this warranty.
- The warranty, as outlined within this document, does not apply to the chimney components or other Non-Travis accessories used in conjunction with the installation of this product. If in doubt as to the extent of this warranty, contact your authorized TRAVIS retailer before installation.
- Travis Industries will not be responsible for inadequate performance caused by environmental conditions such as nearby trees, buildings, roof tops, wind, hills or mountains or negative pressure or other influences from mechanical systems such as furnaces, fans, clothes dryers, etc.
- This Warranty is void if:
 - The unit has been operated in atmospheres contaminated by chlorine, fluorine or other damaging chemicals.
 - The unit is subject to submersion in water or prolonged periods of dampness or condensation.
 - Any damage to the unit, combustion chamber, heat exchanger or other components due to water, or weather damage which is the result of, but not limited to, improper chimney/venting installation.
- Exclusions to this 7 Year Warranty include: injury, loss of use, damage, failure to function due to accident, negligence, misuse, improper installation, alteration or adjustment of the manufacturer's settings of components, lack of proper and regular maintenance, damage incurred while the appliance is in transit, alteration, or act of God.
- This 7 Year Warranty excludes damage caused by normal wear and tear, such as paint discoloration or chipping, worn or torn gasketing, corroded or cracked logs, embers, etc. Also excluded is damage to the unit caused by abuse, improper installation, modification of the unit, drilling of the orifices, or the use of fuel other than that for which the unit is configured. Units are shipped for natural gas and must be converted to propane using the included conversion kit. Confirm fuel configuration with your installer.
- Damage to gold or nickel surfaces caused by fingerprints, scratches, melted items, or other external sources left on the gold or nickel from the use of cleaners other than denatured alcohol is not covered in this warranty.
- TRAVIS INDUSTRIES, INC. is free of liability for any damages caused by the appliance, as well as inconvenience expenses and materials. Incidental or consequential damages are not covered by this warranty. In some states, the exclusion of incidental or consequential damage may not apply.
- This warranty does not cover any loss or damage incurred by the use or removal of any component or apparatus to or from the gas appliance without the express written permission of TRAVIS INDUSTRIES, INC. and bearing a TRAVIS INDUSTRIES, INC. label of approval.
- Any statement or representation of TRAVIS products and their performance contained in TRAVIS advertising, packaging literature, or printed material is not part of this 7 year warranty.
- This warranty is automatically voided if the appliance's serial number has been removed or altered in any way. If the appliance is used for commercial purposes, it is excluded from this warranty.
- No dealer, distributor, or similar person has the authority to represent or warrant TRAVIS products beyond the terms contained within this warranty. TRAVIS INDUSTRIES, INC. assumes no liability for such warranties or representations.
- Travis Industries will not cover the cost of the removal or re-installation of hearths, facing, mantels, venting or other components.
- If for any reason any section of this warranty is declared invalid, the balance of the warranty remains in effect and all other clauses shall remain in effect.
- THIS 7 YEAR WARRANTY IS THE ONLY WARRANTY SUPPLIED BY TRAVIS INDUSTRIES, INC., THE MANUFACTURER OF THE APPLIANCE. ALL OTHER WARRANTIES, WHETHER EXPRESS OR IMPLIED, ARE HEREBY EXPRESSLY DISCLAIMED AND PURCHASER'S RECOURSE IS EXPRESSLY LIMITED TO THE WARRANTIES SET FORTH HEREIN.**

IF WARRANTY SERVICE IS NEEDED:

- If you discover a problem that you believe is covered by this warranty, you MUST REPORT it to your TRAVIS dealer WITHIN 30 DAYS, giving them proof of purchase, the purchase date, and the model name and serial number.
- Travis Industries has the option of either repairing or replacing the defective component.
- If your dealer is unable to repair your appliance's defect, he may process a warranty claim through TRAVIS INDUSTRIES, INC., including the name of the dealership where you purchased the appliance, a copy of your receipt showing the date of the appliance's purchase, and the serial number on your appliance. At that time, you may be asked to ship your appliance, freight charges prepaid, to TRAVIS INDUSTRIES, INC. TRAVIS INDUSTRIES, INC., at its option, will repair or replace, free of charge, your TRAVIS appliance if it is found to be defective in material or workmanship within the time frame stated within this 7 year warranty. TRAVIS INDUSTRIES, INC. will return your appliance, freight charges (years 1 to 5) prepaid by TRAVIS INDUSTRIES, INC., to your regional distributor, or dealership.
- Check with your dealer in advance for any costs to you, when arranging a warranty call. Dealers may require you to pay a service or trip charges for any warranty work. This charge can vary from store to store.

The safety label can be found on the card behind the control cover. A copy is shown below.

Tested & Listed by  **Beaverton, OR, USA**

Report No. 028-S-15-5

Tested and certified by QMI/UL, Inc. to the following standards:

USA: ANSI Z21.4 Gas-Fired Gravity and Fan-type Direct-Vent Wall Furnaces, and applicable sections of Z21.11 Gas-Fired Ventilated Room Heaters

CANADA: CAN 1.3 19MMT Gas-Fired Direct-Vent Wall Furnace, CSA IPR41 Direct-Vent Gas Fireplace, CSA IPR5 additional requirements for Direct-Vent Fireplaces, and CAN/CSA 2.17.1M91 Gas-Fired Appliances for use at High Altitudes.

Listed Gas-Fired Direct-Vent Fireplace Insert Suitable for Installation into Masonry or Factory-Built (2.C.) Fireplaces

DYS Insert

Must be installed in accordance with all local codes. If any, if not, follow ANSI Z223.1-1992 and NFPA 54(88). Installation in Manufactured or Mobile Homes must conform with: In USA, Manufactured Home Construction and Safety Standard, Title 24 CFR, Part 3280; In Canada, CSA Z240.4 and Gas-Equipped Recreational Vehicles and Mobile Housing. The 36DV is designed to operate on natural gas, or propane (LP). This appliance uses a millivolt-type control system consisting of a gas control valve/regulator, a standing pilot burner assembly, a thermopile, a piezo igniter, and the ON/OFF switch. THIS UNIT DOES NOT REQUIRE 110 VOLT POWER TO OPERATE. All exhaust gases must be vented outside the structure of the living-area. Combustion air is drawn from outside the living-area structure. This appliance may be installed in Manufactured Housing only after the home is site located.

WARNINGS:
 Improper installation, adjustment, alteration, service or maintenance can cause injury or property damage. Refer to the information in the owner's and installation manual provided with this appliance. For assistance or additional information consult a qualified installer, service agency or the gas supplier.
 Installation and repair should be performed by a qualified service person. The appliance should be inspected before use and at least annually by a qualified service person. More frequent cleaning may be required where excessive lint from material like carpeting and bedding is present. The control compartment, the burner compartment and all circulating air passageways of the appliance must be kept clean and clear at all times.
 Due to high temperatures, the appliance should be located out of traffic, and away from furniture and draperies.
 This appliance must not be connected to a chimney flue, servicing a separate solid fuel burning appliance.
 This room heater is a Direct-Vent Gas-Fired appliance. DO NOT burn wood or other material in the heater.
 Children and adults should be alerted to the hazards of high surface temperature and should stay away to avoid flesh burns or clothing ignition.
 Young children should be carefully supervised at all times when they are in the same room as the appliance.

CAUTION:
 All safety screen or guard components removed for servicing, must be replaced prior to operating the appliance.
 Clothing or other flammable material should not be placed on or near the appliance.
 Risk of electrical shock. Switch the household breaker off or remove fuse before servicing unit.
 Use Simpson DURA-VENT direct vent system (Model GS) to vent this appliance to the exterior (direct discharge only) without duct connection).

Minimum Clearances to Combustibles

Faceplate to Sidewall.....	6"	Mantle Height Above Faceplate	10"
Front of Unit	36"	Side Facing to Faceplate	6"
		Top Facing to Faceplate	8"
		Hearth Extension Front	12"
		Hearth Extension Sides	0"

	L.P.	N.G.		L.P.	N.G.
Input Rate on "H" (BTU/H) ^a	31,000	31,000	Minimum Inlet Pressure (inches W.C.)	11"	5.5"
Input Rate on "LO" (BTU/H) ^a	16,000	18,600	Maximum Inlet Pressure (inches W.C.)	13"	7"
Main Burner Orifice (DMS) ^b0625	#37	Manifold Pressure on "H" (inches W.C.)	10"	3.5"
			Manifold Pressure on "LO" (inches W.C.)	2.7"	1"


^aThis room heater is equipped at the factory for use with natural gas. If conversion to propane (LP) fuel is desired the optional factory conversion kit must be used.

Blower Electrical Rating: 115v, 1.5 Amps, 60 Hz FAN TYPE VENTED CIRCULATOR

Manufacture ■ 1996 ■ Jan. ■ Apr. ■ Jul. ■ Oct.

Date: ■ 1997 ■ Feb. ■ May ■ Aug. ■ Nov.

■ 1998 ■ Mar. ■ Jun. ■ Sep. ■ Dec.



Travis Industries Inc.
 10690 117th Pl. N.E. Kirkland, WA 98039

IGN

Propane Conversion Kit (Part # 98900744)

The propane conversion kit should be installed prior to installing the heater and gas inlet (if not, shut off gas and disconnect the gas inlet).

Items Needed For Assembly

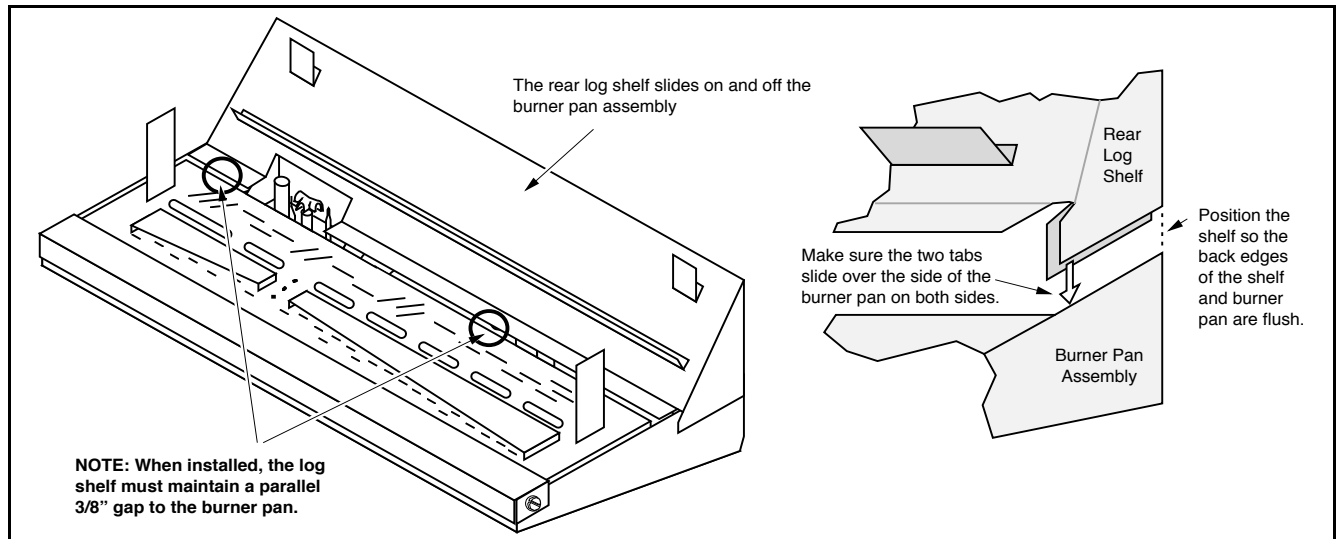
- 1/4" Nutdriver
- Phillips Screwdriver
- Thread sealant
- 7/16" and 1/2" Open End Wrench
- Micro (1/16") Standard Screwdriver
- Leak Testing Equipment
- Standard Screwdriver

Packing List

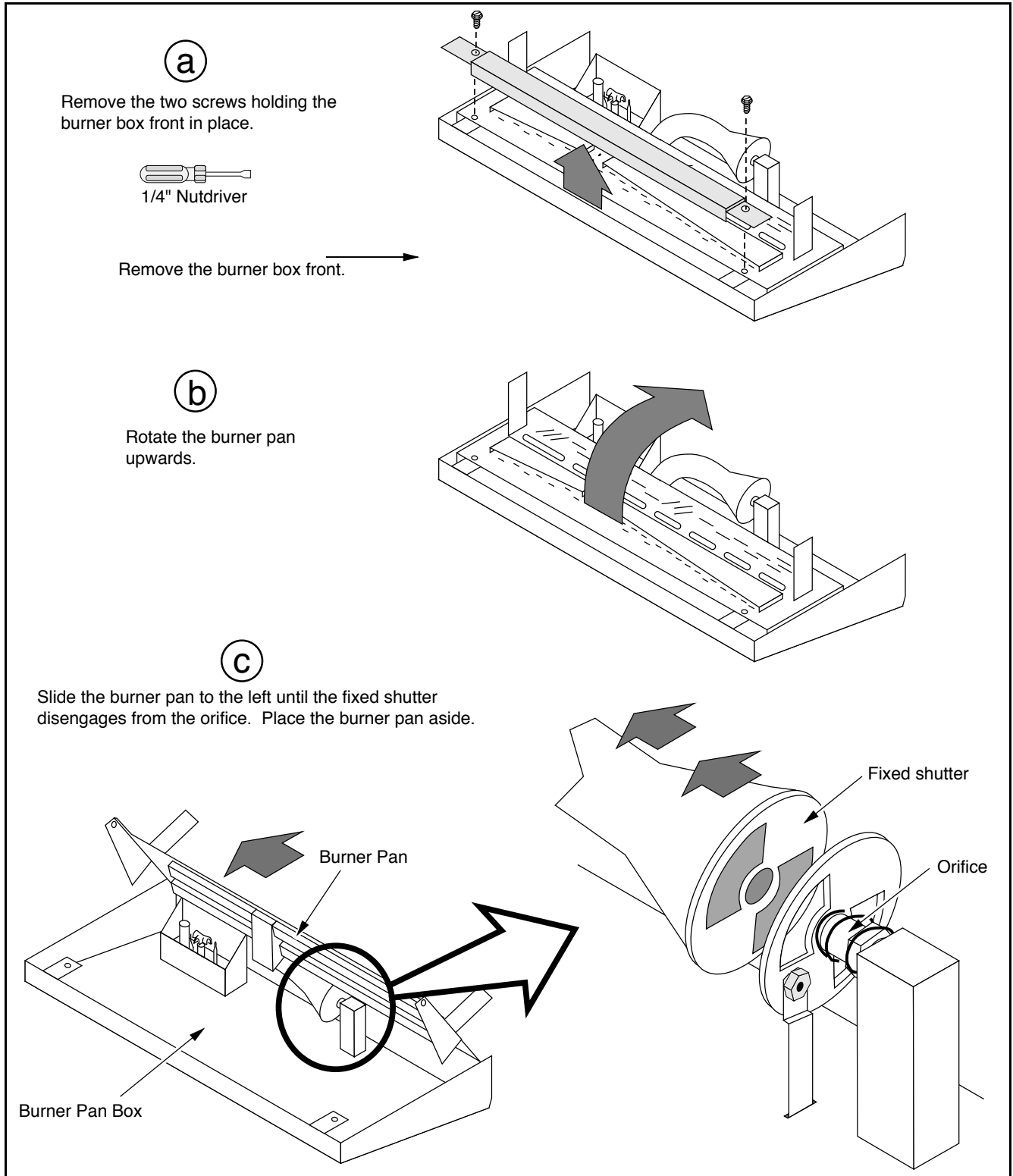
- LP Orifice (.0625" diameter)
- LP Pilot Orifice (.016" dia. - stamped "16LP")
- Replacement Regulator
- Two Replacement Screws
- Regulator Gasket
- LP Label

Installation Instructions

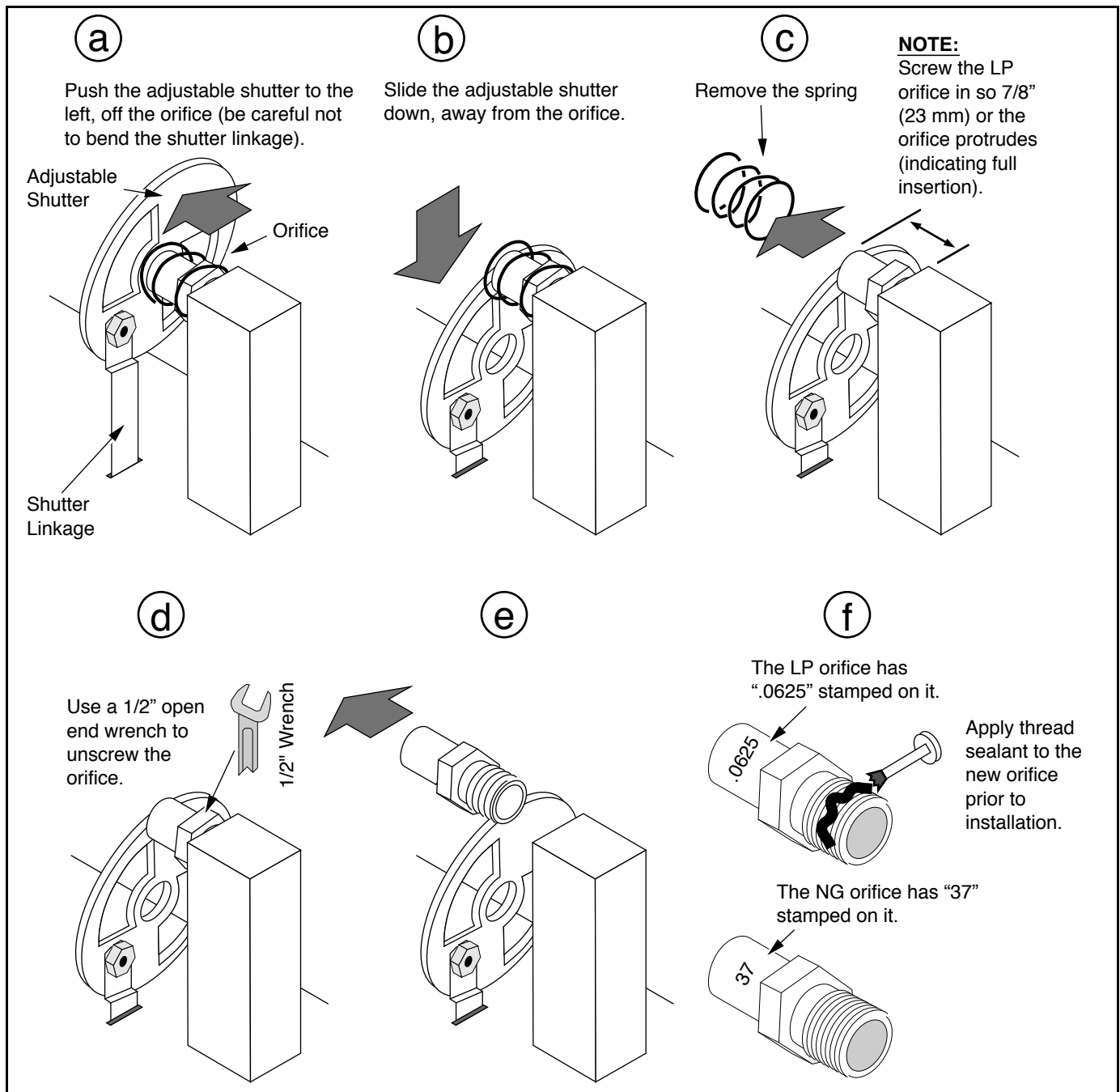
- 1 Remove the glass (see page 14).
- 2 Reach into the firebox and remove the rear log shelf (see the illustration below).



3 Remove the burner pan from the burner pan box following the instructions below.

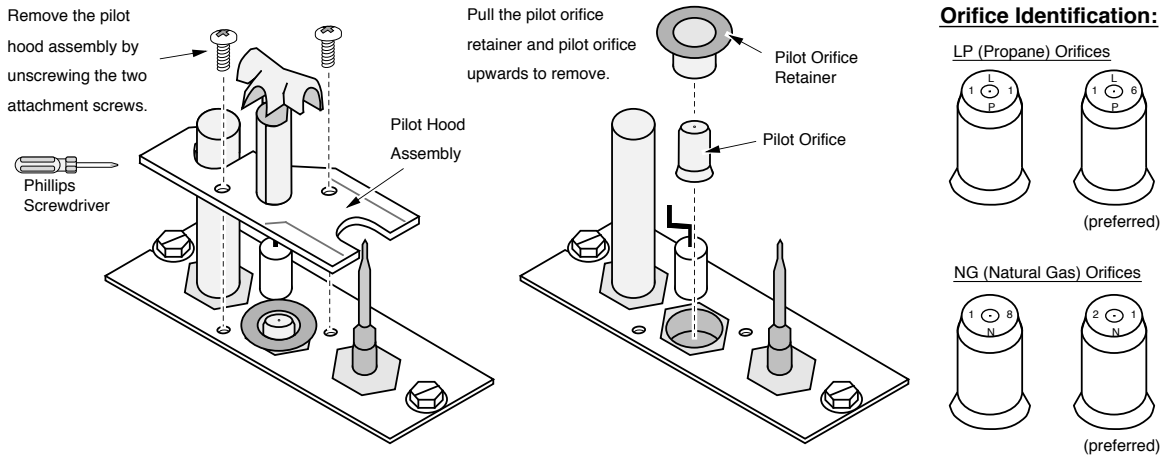


- 4 Follow the directions below to remove the natural gas orifice. Apply thread sealant to the LP orifice (.0625 dia. - it has ".0625" stamped on it) and tighten in place with a 1/2" open end wrench. Replace the spring. Slide the adjustable shutter back in place.

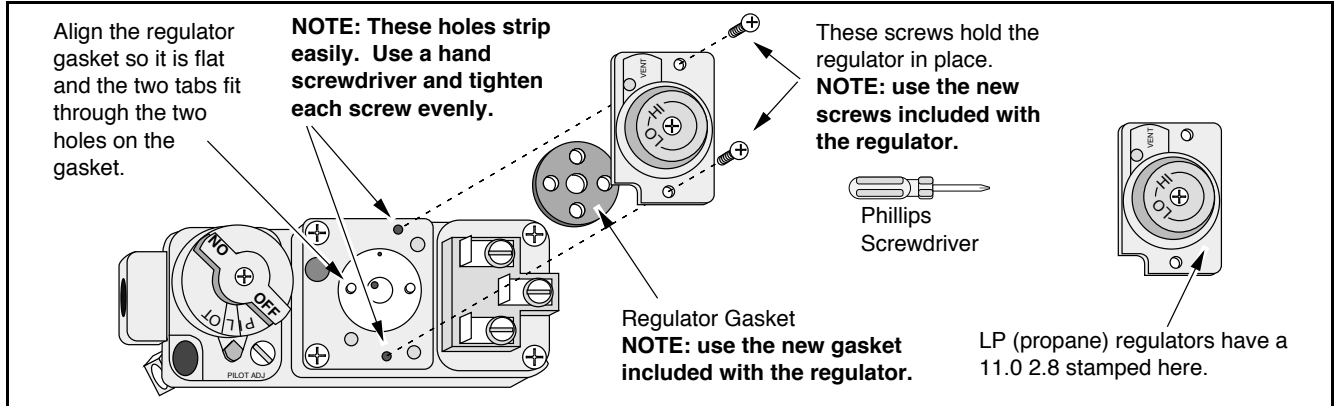


- 5 Re-attach the burner pan and burner box front to the burner pan box following the instructions in step 3 in reverse order.

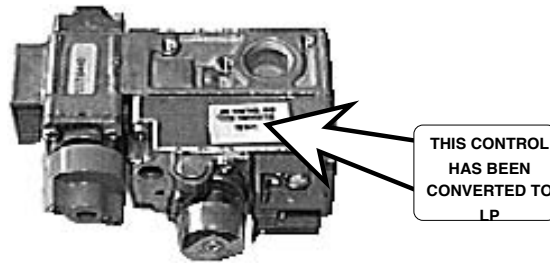
- 6 Remove the pilot orifice following the instructions below. Replace with the propane pilot orifice. The propane conversion kit includes a .016" (labeled LP 16) or .011" (labeled LP 11) pilot orifice. The .016" orifice is preferred because it allows for larger pilot adjustment.



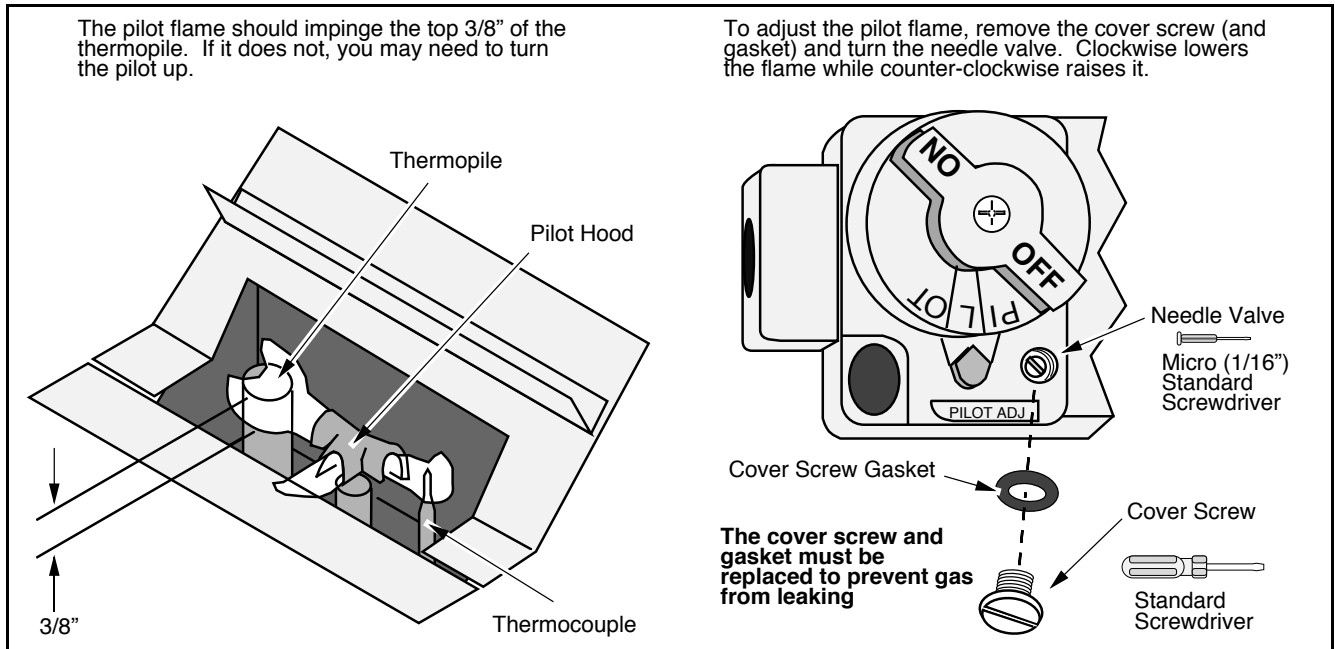
- 7 Replace the pilot assembly (follow the instructions in step 6 in reverse order). Make sure the pilot assembly gasket is placed correctly.
- 8 Replace the rear log shelf (see step 2). Install the logs and embers. Replace the glass.
- 9 Remove the regulator from the front of the gas control valve. Replace with the propane regulator, using the new gasket and screws included with the regulator. **NOTE: Leak test this area after the heater is installed, gas is connected, and the main burner is lit.**



- 10 Place the included propane label over the natural gas label on top of the gas control valve.

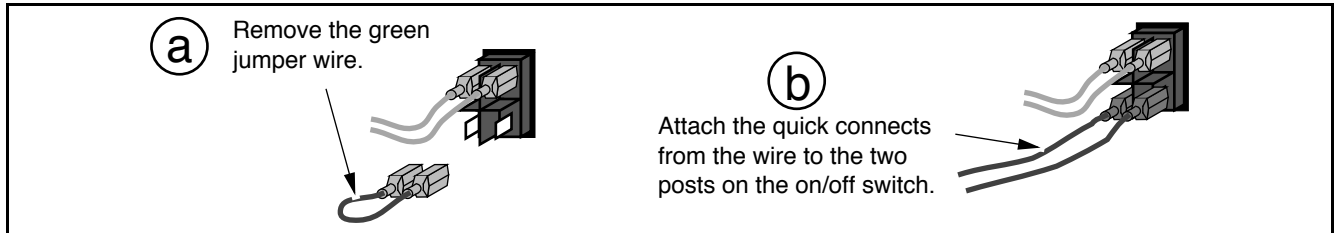


- 11 **Make the gas line connection, start the heater and thoroughly leak-test all gas connections and the regulator. Check the pilot. Adjust if necessary.**

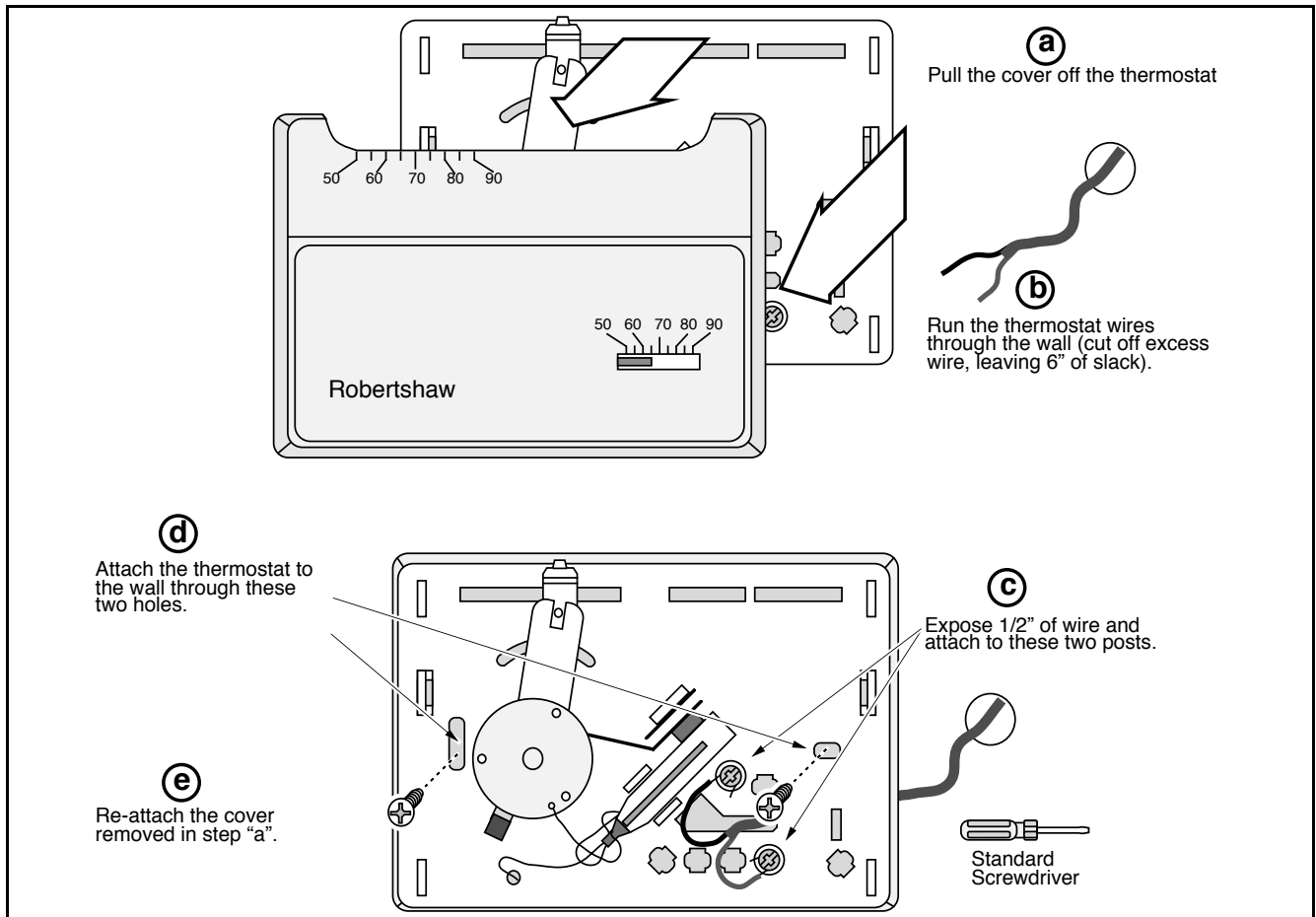


Thermostat (Part # 99300650)

- ! Do not connect 120 VAC to the gas control valve or wiring of this unit.
- 1 Expose the back of the on/off switch (it is either on the upper right corner of the surround panels or on the controls bracket to the right of the gas control valve). Remove the green jumper wire and attach the thermostat wire to the back of the on/off switch (see the illustration below).



- 2 Run the thermostat wire behind the surround panels. Pull through all the slack (you may wish to wrap the wire in electrical tape to prevent damage to the wire). Determine a location for the thermostat that is within range of the 50' length of thermostat wire. It should be centralized in the room and away from the heater. The wire may be routed externally on the wall or behind the wall (preferred).
- 3 Install the thermostat following the directions below.



Remote Thermostat

- ! Do not connect 110-120 VAC to the gas control valve or wiring system of this unit.
- Follow the instructions included with the remote thermostat for installation.

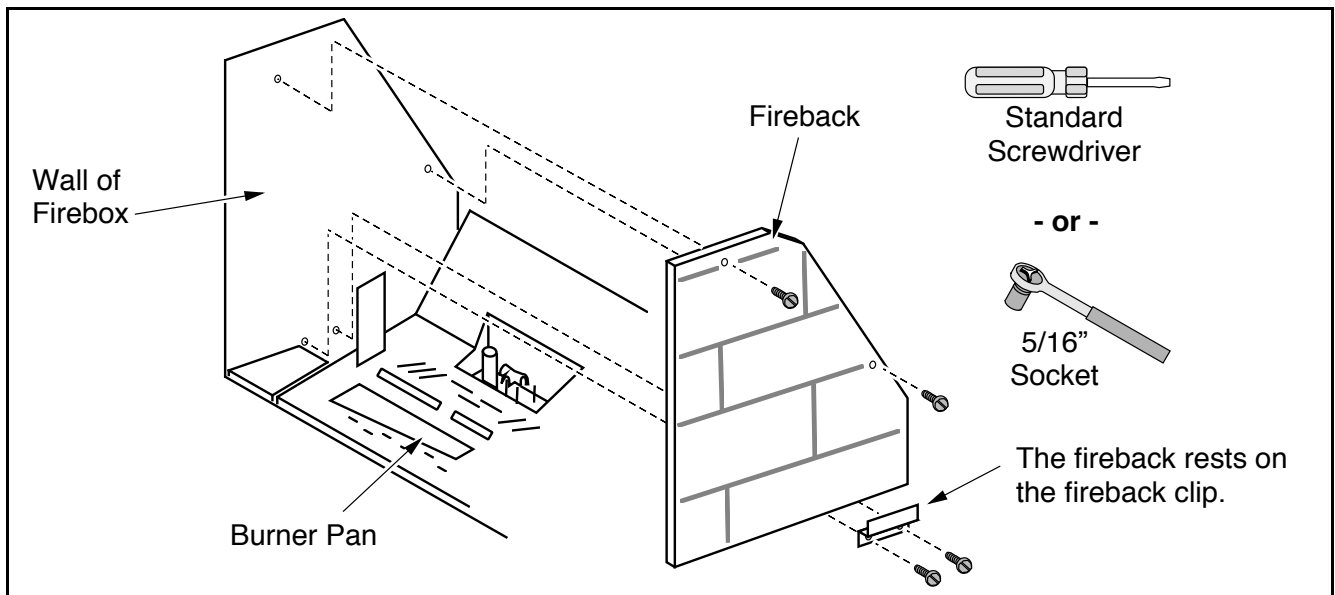
IMPORTANT OPERATIONAL NOTE FOR REMOTE THERMOSTAT USE:

Included with the remote thermostat is a set of instructions that should be given to the homeowner. Please be aware that the remote thermostat has a 1 to 2 minute lag time between the time the thermostat is turned up and the heater turns on.

Decorative Fireback (part # 98500732)

The decorative classic fireback attaches to the side walls of the firebox to enhance the aesthetic quality of the appliance. The directions below detail installation.

- ! Turn the gas control valve to "OFF" prior to conducting any service.
- 1 The faceplate, glass, and log set must be removed prior to installing the firebacks.
- 2 Use a 5/16" socket wrench or standard screwdriver to remove the four screws on each side of the firebox wall (see the illustration below).
- 3 Attach the fireback clips to the side walls using 1/2" screws included with this kit.
- 4 Place the firebacks onto the fireback clips. The side plates are marked "Left" and "Right" on the back to differentiate the two sides. Insert the 1" screws included with this kit through the plates and into the walls of the firebox to secure the plates in place. Do not fully tighten the screws - the firebacks should have some space to expand and contract.



ADDENDUM #1 Altitude Considerations

This heater has been tested at altitudes ranging from sea level to 8,000 feet (2,400 M). In this testing we have found that the heater, with its standard orifice, burns correctly with just an air shutter adjustment. For information on adjusting the air shutter see page 17 of this manual.

- ! **Failure to adjust the air shutter properly may lead to improper combustion which can create a safety hazard. Please consult your dealer or installer if you suspect an improperly adjusted air shutter.**

Adjusting the Blower Speed	21	Lifting Flames	17
Adjusting the Flame Height	20	Listing Label (Safety Label)	27
AFUE	5	Log Installation	15
Air Shutter Adjustment	17	Maintaining Your Stove's Appearance	22
Altitude Considerations	35	Natural Gas Verses Propane Stove	2
Amperage (of blower)	5	On/Off Operation	20
Blower Speed	21	On/Off Switch (Location)	18
BTU Output	5	Operating Sounds	21
Burner Pan Installation	29	Order of Installation	6
Cap (vent termination)	9	Packing Lists	6
Cleaning Your Stove	22	Paint Curing	20
Clearances	7	Pilot (starting)	19
Condensation	20	Pilot Flame (Location)	18
Controls	18	Porcelain Cleaning (see "Cleaning Your Stove")	22
Dimensions	5	Pressure (of gas)	8
Efficiency	5	Purging Gas Line (with glass off)	16
Electrical Connection	13	Remote Control Thermostat Installation	35
Electrical Specifications	5	Required Components for Installation	6
Flame Height (on high should be 8" - 11")	20	Safety Label	27
Floor Protection Requirements (stove, insert)	8	Safety Precautions	2
Fuel	5	Silicone Vent	8
Fumes	20	Sounds	21
Gas Control Valve (Location)	18	Starting The Pilot Flame	19
Gas Inlet Installation	8	Starting the Stove for the First Time	20
Gas Leak	See Inst. on Cover	Placement Requirements	7
Gas Line Connection	8	Table of Contents	4
Gas Smell	See Inst. on Cover	Thermostat Installation	34
Glass Installation	14	Troubleshooting Table	23
Glass Removal	14	Vent Configurations	10
Gold Cleaning (see "Cleaning Your Stove")	22	Vent Requirements	8
Heating Capacity	5	Warranty	26
Installation Options	5	Water (on glass - see starting the stove)	20
Installation Preparation	6	Wiring Diagram	25
Leaking Gas	See Inst. on Cover	Yearly Service Procedure	22